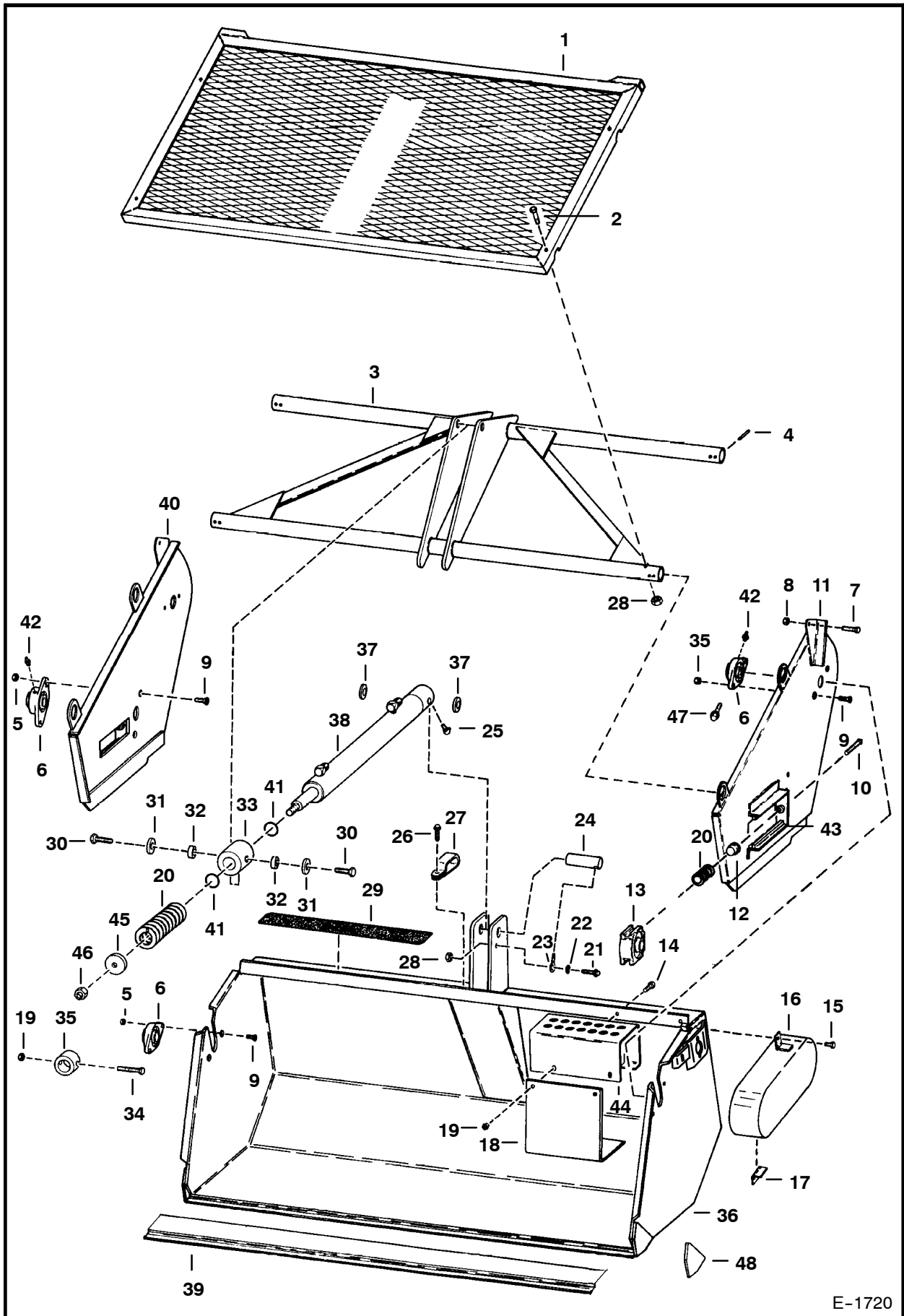




# CONTENTS

<b>ROCK HOUND - "A" SERIES</b> .....	<b>1-20</b>
MAIN FRAME & ATTACHING PARTS .....	1-8
LIFT CYLINDER .....	9-10
HYDROSTATIC MOTOR .....	11-12
FLOW VALVE .....	13
DECALS .....	14
ROCK HOUND - 3PT. HITCH .....	15-16
VALVE - 3PT. HITCH .....	17-18
BUCKET CYLINDER - 3PT. HITCH .....	19-20
<b>ROCKHOUND - "B" SERIES</b> .....	<b>21-34</b>
MAIN FRAME & ATTACHING PARTS .....	21-28
HYDROSTATIC MOTOR .....	29-32
LIFT CYLINDER .....	33
DECALS .....	34
ROCK HOUND - 3PT. HITCH .....	35-36
VALVE - 3PT. HITCH .....	17-18
BUCKET CYLINDER - 3PT. HITCH .....	19-20
<b>NUMERICAL INDEX</b> .....	<b>37</b>

**ROCK HOUND**  
4 Foot(1219mm), 5 Foot(1524mm) & 6 Foot(1829mm) - "A" Series



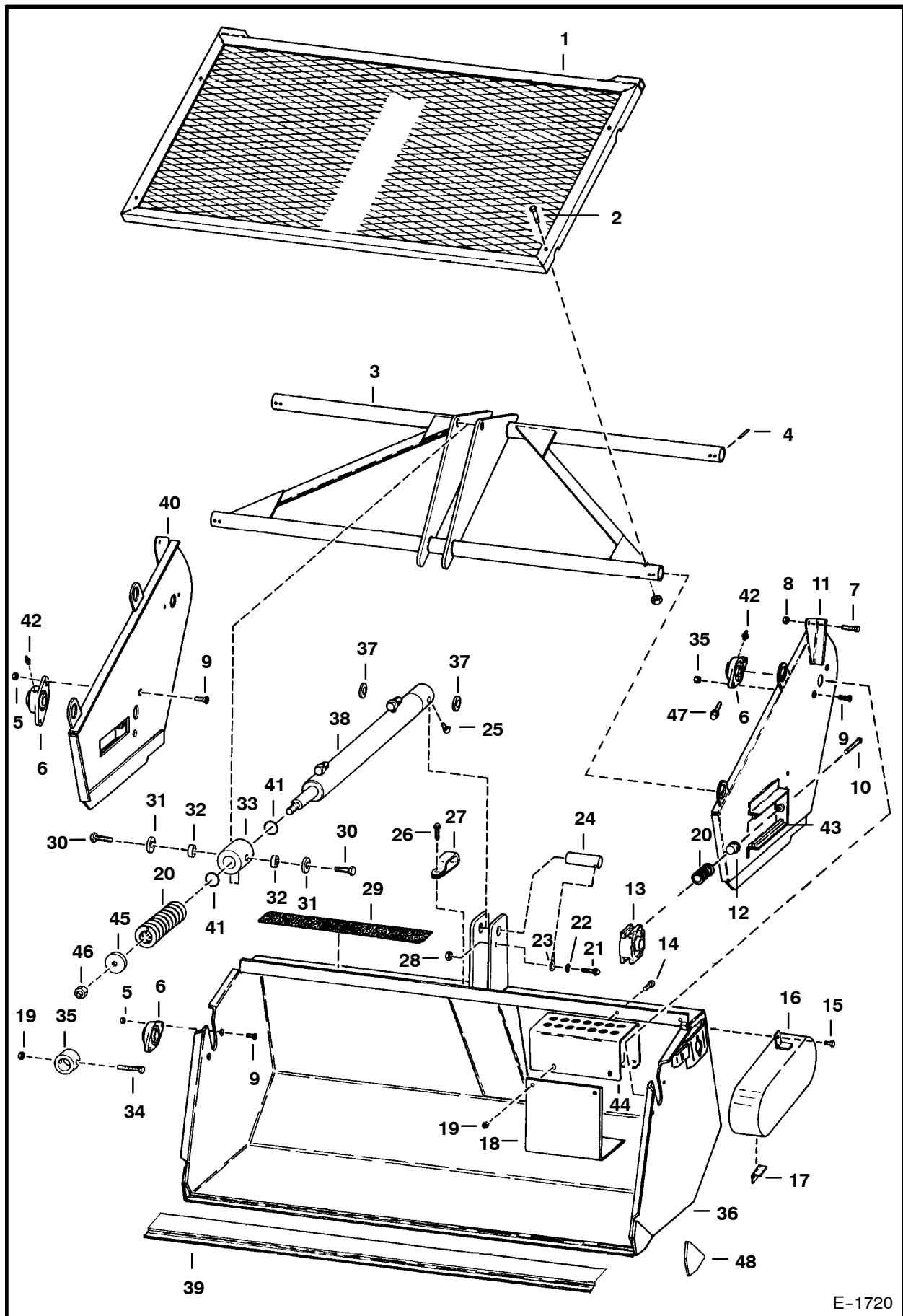
E-1720

**ROCK HOUND (Cont'd)**

**4 Foot(1219mm), 5 Foot(1524mm) & 6 Foot(1829mm) - "A" Series**

Ref. No.	Part Number	Description	Remarks	Serial Number	Qty.
1	6594460	SCREEN	4 ft.(1219mm)		1
	6594633	SCREEN	5 ft.(1524mm)		1
	6594738	SCREEN	6 ft.(1829mm)		1
2	17C-548	BOLT	Was 17C-544		4
3	6704575	FRAME	4 ft.(1219mm) - Was 6529572		1
	6704576	FRAME	5 ft.(1524mm) - Was 6529573		1
	6704577	FRAME	6 ft.(1829mm) - Was 6529537		1
4	14J-3148	ROLL PIN			8
5	61D-8	NUT			12
6	6632191	BEARING	W/Ref. 42		6
7	17C-720	BOLT			2
8	85D-7	NUT			2
9	9G-824	BOLT	socket head countersunk		8
	10C-824	BOLT	carriage - Was 6529377		8
10	13G-1048	BOLT	adjuster		2
11	6594740	PLATE	side - L.H.		1
12	6594431	RETAINER	spring		2
13	6649685	BEARING	Was 6636011		2
14	17C-620	BOLT	Was 17C-616		2
15	35C-616	BOLT	Was 4E-6		1
16	6704858	GUARD	chain - W/Ref. 17 - Was 6594479		1
17	6594483	HINGE			1
18	6594496	BRACKET			1
19	85D-6	NUT			2
20	6594434	SPRING			2
21	17C-516	BOLT			2
22	25E-15	WASHER			2
23	6554414	PIN			2
24	6533106	PIN	Was 6529569		1
25	11H-15	GREASE ZERK			1
26	84G-3712	BOLT			1
27	30H-60	CLAMP			1
28	85D-5	NUT			1
29	NAP	SKID	safety tread - 4 ft.(1219mm) - order 6594639 - Was 6594485		1
	6594639	SKID	safety tread - 5 ft.(1524mm)		1
	6569233	SKID	safety tread - 6 ft.(1829mm)		1
30	17C-830	BOLT	Was 17C-824		2
31	25E-22	WASHER			2
32	6529543	BUSHING	.70"(17.8mm) long		2
	6704573	BUSHING	1.09"(27.7mm) long		2
33	6529541	SPACER			1
34	17C-632	BOLT			1
35	6593949	COLLAR			1
36	6704866	BUCKET	4 ft.(1219mm) - Was 6537809		1
	6704867	BUCKET	5 ft.(1524mm) - Was 6537811		1
	6704868	BUCKET	6 ft.(1829mm) - Was 6537813		1
37	6505046	WASHER			2
38		CYLINDER	See Page 9 & 10		1

**ROCK HOUND (Cont'd)**  
**4 Foot(1219mm), 5 Foot(1524mm) & 6 Foot(1829mm) - "A" Series**

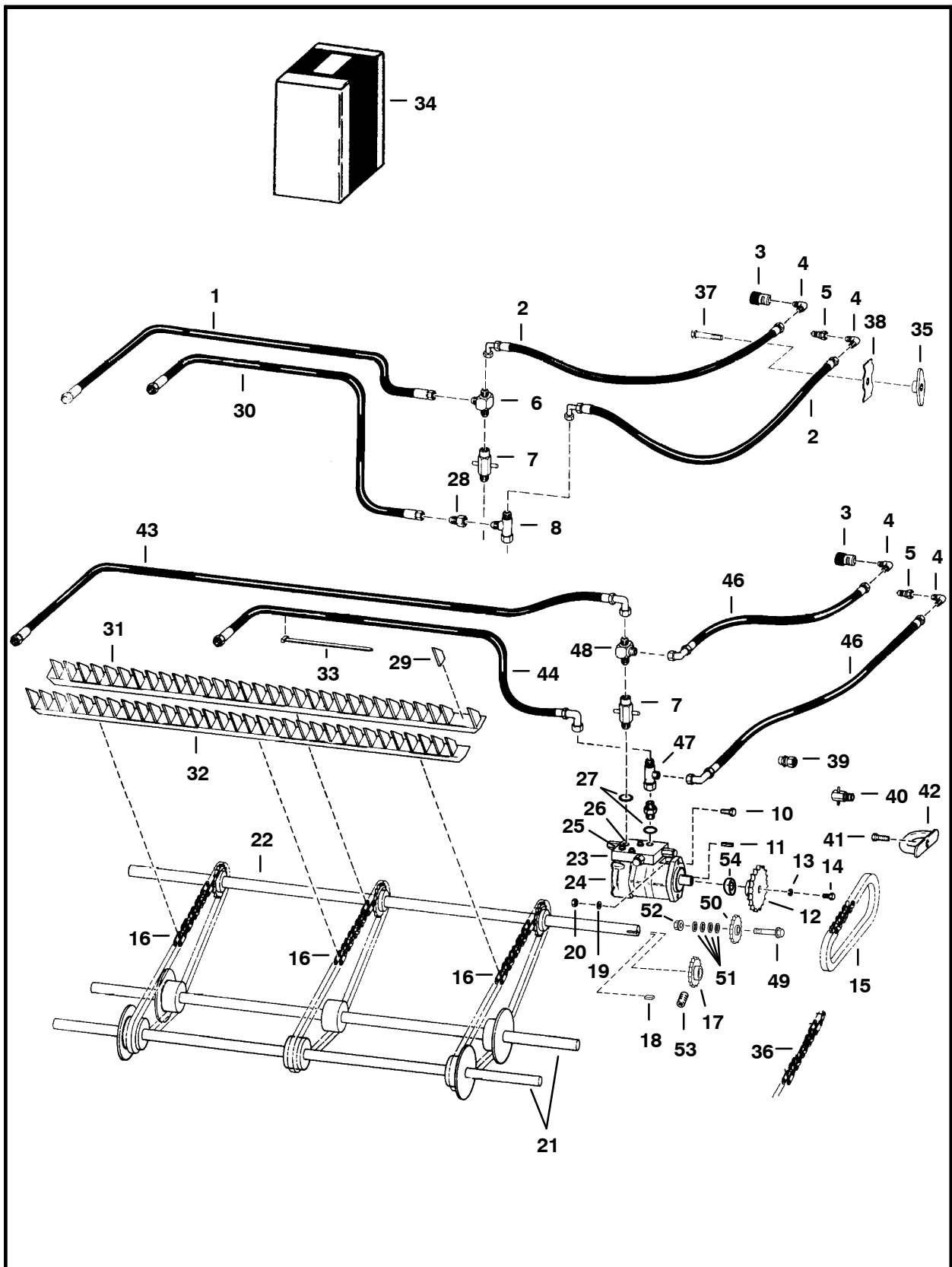


E-1720



# ROCK HOUND

## 4 Foot(1219mm), 5 Foot(1524mm) & 6 Foot(1829mm) - "A" Series



**NOTE:** Check style of hoses and fittings to motor before ordering service parts.

**NOTE:** Ref. 31 - 4 ft. has space on left side.  
**NOTE:** Ref. 32 - 4 ft. has space on right side.

E-2169

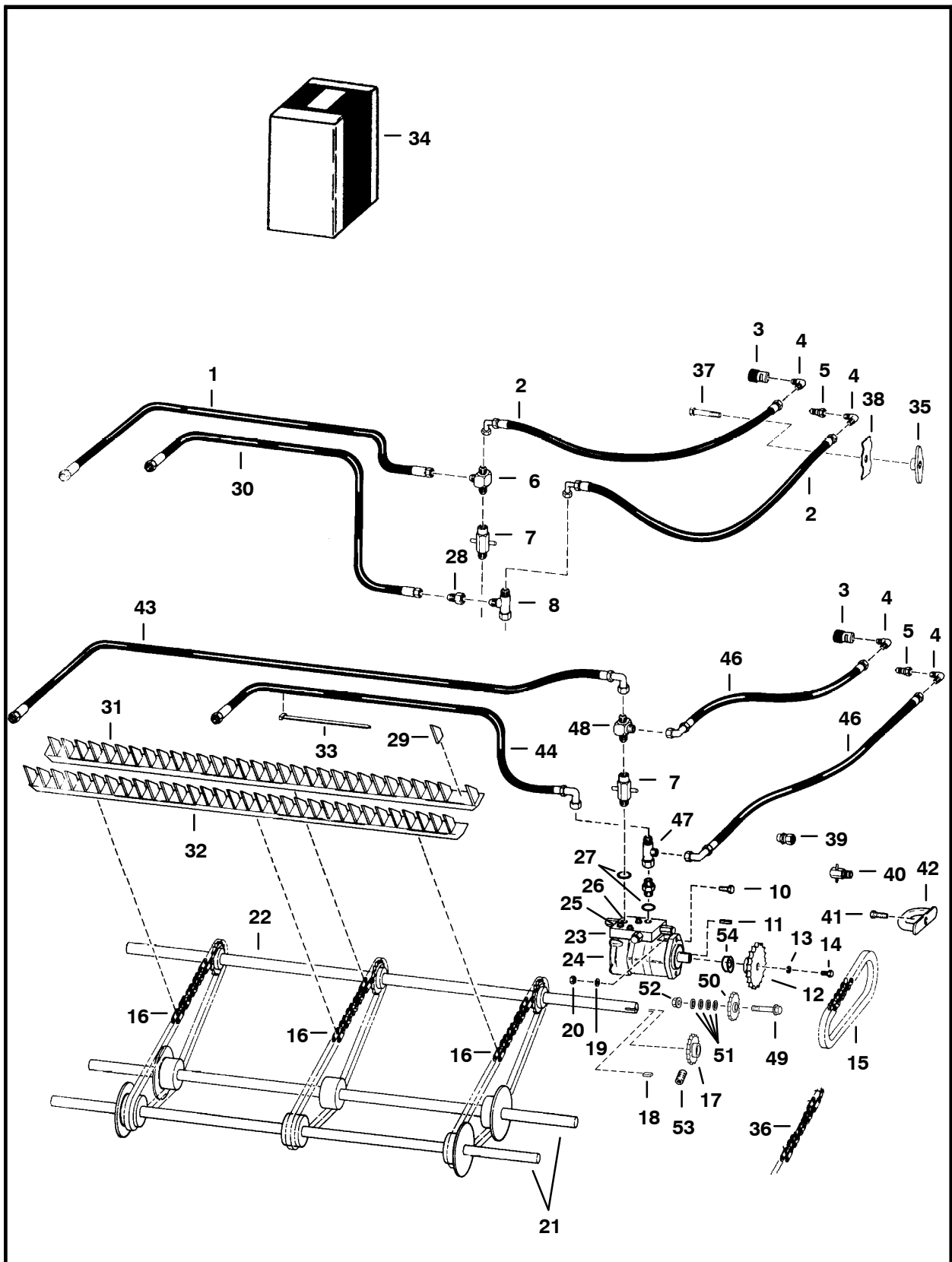
**ROCK HOUND (Cont'd)**

**4 Foot(1219mm), 5 Foot(1524mm) & 6 Foot(1829mm) - "A" Series**

Ref. No.	Part Number	Description	Remarks	Serial Number	Qty.
1	6531679	HOSE			1
2	6531677	HOSE	70"(1778mm) long -Was 6567984		2
3	6598758	QUICK COUPLER	female - poppet		1
4	6672960	QUICK COUPLER	female FF - Was 6667807 [A]		1
	48K-16	O-RING	used with poppet coupler		1
	17K-7	ELBOW	used with poppet couplers		2
5	17KB-1012	ELBOW	used with flush face couplers - Was 1302104 [A]		2
	6598757	QUICK COUPLER	male poppet		1
6	6674688	QUICK COUPLER	male flush face - Was 6667808		1
	6672026	O-RING			1
	6529554	TEE			1
7	6635878	VALVE THROTTLE			1
8	13K-7	TEE			1
9	731793	ADAPTER			1
10	17C-828	BOLT	hex head		2
	9G-832	BOLT	countersunk		2
11	7J-4100	KEY			1
12	6594452	SPROCKET	4 ft. - 5 GPM - 22 teeth		1
	6594643	SPROCKET	5 & 6 ft. - 10 GPM - 17 teeth		1
	6594497	SPROCKET	5 & 6 ft. - 10 GPM - 17 teeth		1
13	872229	WASHER			1
14	17C-616	BOLT			1
15	6594642	CHAIN			1
16	6632387	LINK	connector		1
	6632444	LINK	offset - maximum qty. (4)		1
	6594453	CHAIN	60H & 2060H		3
	6515191	LINK	connector		1
	6707727	CHAIN	All 2060H		3
	6707729	LINK	connector - 2060H - with keeper		1
17	6675307	LINK	connector - 2060H - with cotter pins		1
	6594417	SPROCKET	4 ft.(1219mm) - 5 GPM -12 teeth		1
	6594498	SPROCKET	5 & 6 ft.(1524 & 1829mm) - 10 GPM - 20 teeth		1
18	7J-5104	KEY			1
19	4E-8	WASHER			1
20	61D-8	NUT			1
21	6704579	SHAFT	4 ft.(1219mm) - Was 6594441		2
22	6704580	SHAFT	5 ft.(1524mm) - Was 6594622		2
	6704582	SHAFT	6 ft.(1829mm) - Was 6594724		2
	6594448	SHAFT	drive - 4 ft.(1219mm)		1
23	6594627	SHAFT	drive - 5 ft.(1524mm)		1
	6594730	SHAFT	drive - 6 ft.(1829mm)		1
		VALVE	flow - See Page 13		1
24		MOTOR	See Page 12		1
25	25E-17	WASHER			3
26	17C-632	BOLT			3
27	79K-8	O-RING			2
28	784244	ADAPTER			1
29	6704959	TINES	Was 6594457 [A]		x



**ROCK HOUND (Cont'd)**  
**4 Foot(1219mm), 5 Foot(1524mm) & 6 Foot(1829mm) - "A" Series**



**NOTE: Check style of hoses and fittings to motor before ordering service parts.**

**NOTE: Ref. 31 - 4 ft. has space on left side.**

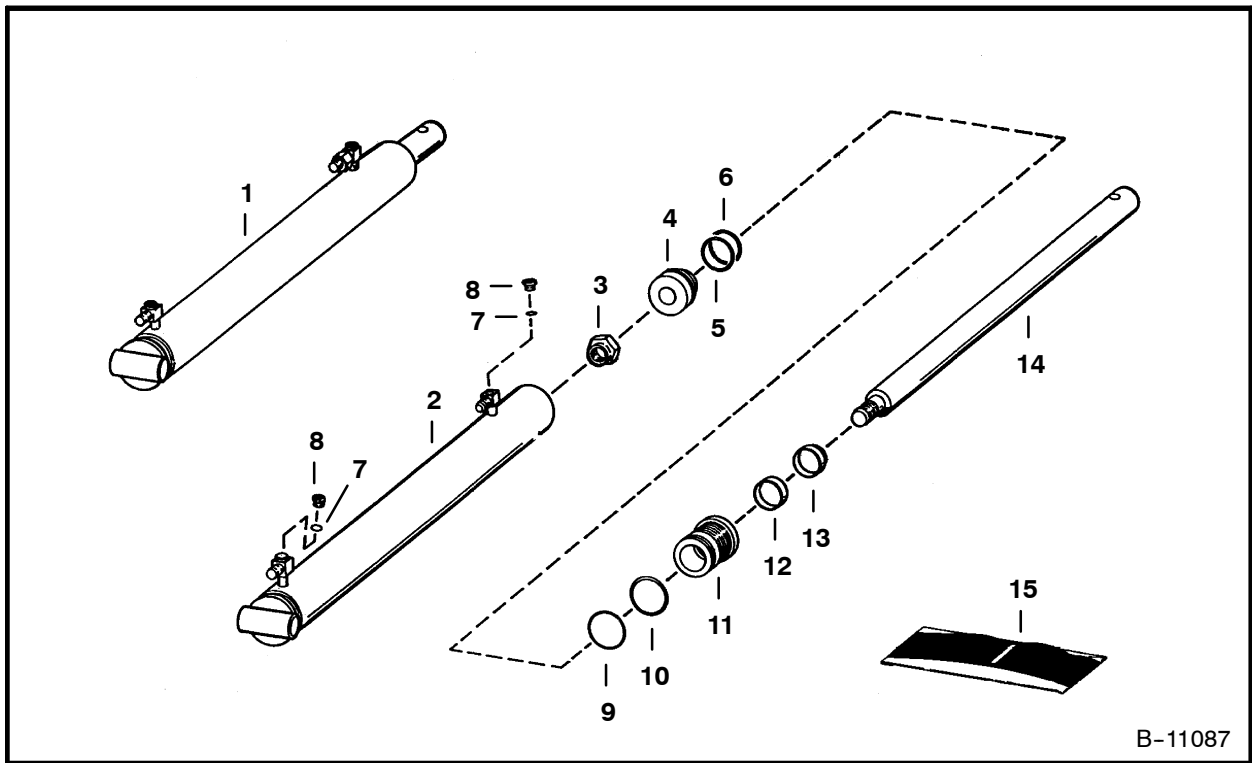
**NOTE: Ref. 32 - 4 ft. has space on right side.**

E-2169

**ROCK HOUND (Cont'd)**

**4 Foot(1219mm), 5 Foot(1524mm) & 6 Foot(1829mm) - "A" Series**

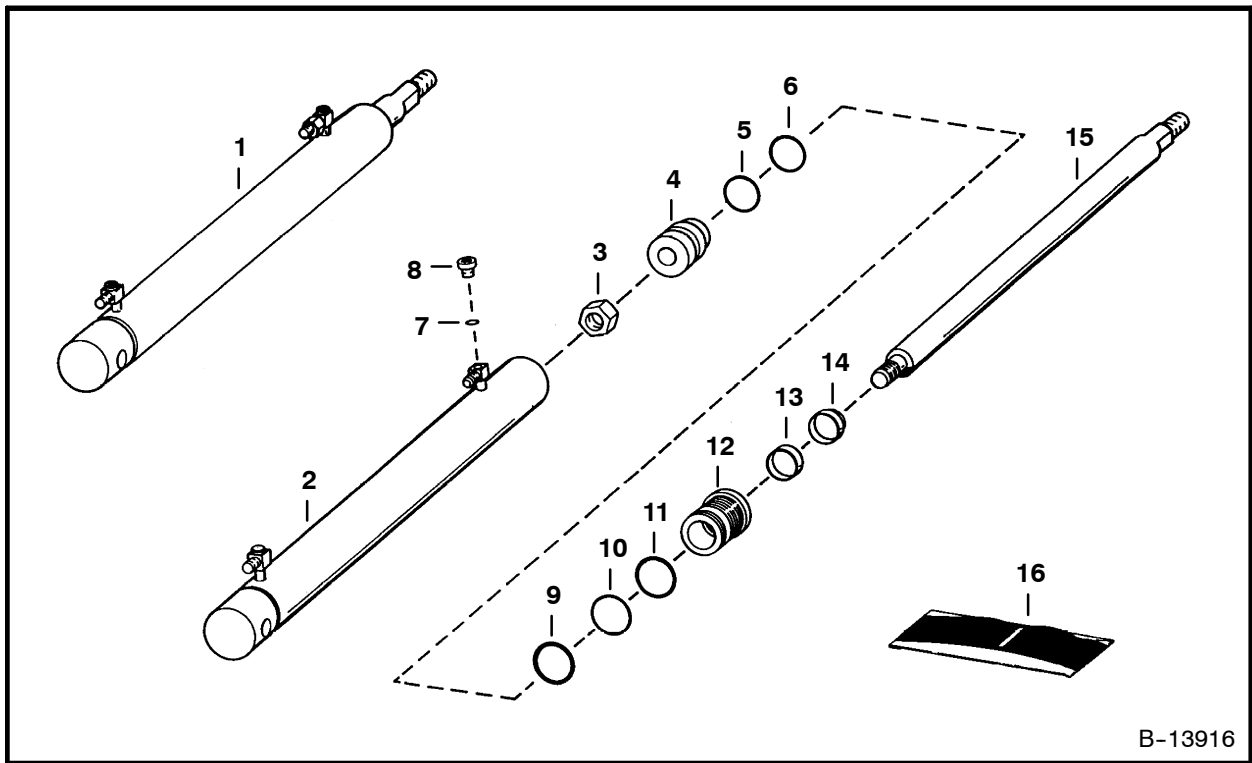
Ref. Part No.	Number	Description	Remarks	Serial Number	Qty.
30	6531678	HOSE			1
31	6594686	BAR ASSY.	A - 4 ft. - W/qty. 25 of Ref. 29 & qty. 3 of ref. 36 - SEE NOTE		6
	6594688	BAR ASSY.	A - 5 ft. (1524mm) - W/Qty. 32 of Ref. 29 & 3 of Ref. 36		6
	6708524	BAR ASSY.	A - 5 ft. (1524mm) - W/Qty. 32 of Ref. 29 & 3 of Ref. 36 - W/2060H chain links		6
	6594690	BAR ASSY.	A - 6 ft. (1828,8mm) - W/Qty. 39 of Ref. 29 & 3 of Ref. 36		6
	6707730	BAR ASSY.	A- 6 ft. (1828,8mm) - W/Qty. 39 of Ref. 29 & 3 of Ref. 36 - W/2060 chain links		6
32	6594685	BAR ASSY.	B - 4 ft. - W/qty. 25 of Ref. 29 & qty. 3 of ref. 36 - SEE NOTE		6
	6594687	BAR ASSY.	B - 5 ft.(1524mm) - W/Qty. 31 of Ref. 29 & 3 of ref. 36		6
	6708525	BAR ASSY.	B - 5 ft.(1524mm) - W/Qty. 31 of Ref. 29 & 3 of ref. 36 - W/2060H chain links		6
	6594689	BAR ASSY.	B - 6 ft.(1828,8mm) - W/Qty. 38 of Ref. 29 & 3 of ref 36		6
	6707731	BAR ASSY.	B - 6 ft.(1828,8mm) - W/Qty. 38 of Ref. 29 & 3 of ref 36 - W/2060 chain links		6
33	6624289	NYLON TIE			1
34	6594451	RAKE ASSY.	W/Ref. 16, 29, 31 & 32 - 4 ft.		1
	6594629	RAKE ASSY.	W/Ref. 16, 29, 31 & 32 - 5 ft.		1
	6594733	RAKE ASSY.	W/Ref. 16, 29, 31 & 32 - 6 ft.		1
35	6647668	KNOB	plastic		1
36	6594599	CHAIN	service - 7 Pitches - 60 & 2060		x
	6707728	CHAIN	service - 5 Pitches - 2060 chain		x
37	17C-680	BOLT			1
38	6563353	CLAMP			1
39	1312113	ADAPTER			1
40	6631698	RESTRICTOR	3000 PSI (20684 kPa) installs in tilt valve rod end		1
41	37C-652	BOLT			1
42	6706160	GUIDE			1
43	6704672	HOSE			1
44	6704671	HOSE			1
45	15K-6	ADAPTER	W/Ref. 27		1
46	6537669	HOSE			2
47	13K-6	TEE			1
48	21K-6	TEE			1
49	31C-1036	BOLT			1
50	6661615	SPROCKET	idler		1
51	25E-4	WASHER			4
52	57D-10	NUT			1
53	33G-608	SET SCREW			2
54	6704852	BUSHING			1



B-11087

### LIFT CYLINDER Landscape Rake - "A" Series

Ref. Part No.	Part Number	Description	Remarks	Serial Number	Qty.
1	NAP	CYLINDER	Ref. 2 - 14 - Order (1) 6587808 cylinder, (1) 92D-10 nut and (1) 6705839 washer		2
2	6529579	CASE	cylinder		1
3	92D-12	NUT			1
4	6558196	PISTON			1
5	6516231	SEAL	Was NSS		1
6	54K-30118	O-RING	Was NSS		1
7	79K-3	O-RING	for flat boss face		2
8	95K-3	O-RING	for tapered boss face		2
	NAP	PLUG	flat boss face - Was 47K-2 [A]		2
8	90KV-2	PLUG	tapered boss face		2
	9	54K-40124	O-RING	Was NSS	1
10	73K-224	WASHER	back-up - Was NSS		1
11	6538595	HEAD	Was 6504933 [A]		1
12	6667323	SEAL	u-cup - Was NSS		1
13	1657083	SEAL	wiper - Was NSS		1
14	6529547	ROD			1
15	6803472	SEAL KIT	Ref. 3, 5, 6, 9, 10, 12 & 13 - Was 6587790 [A]		1

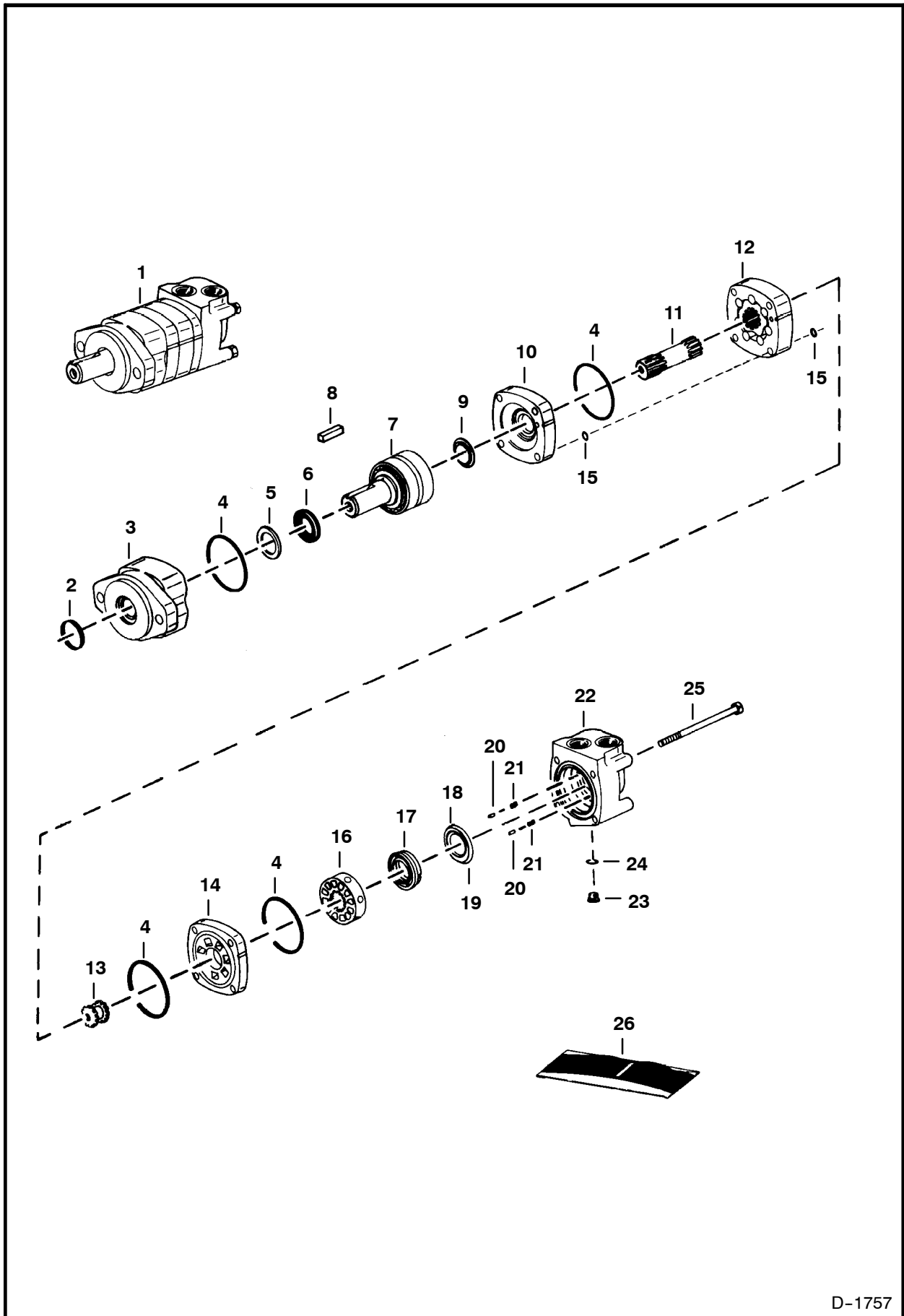


B-13916

### LIFT CYLINDER Landscape Rake - "A" Series

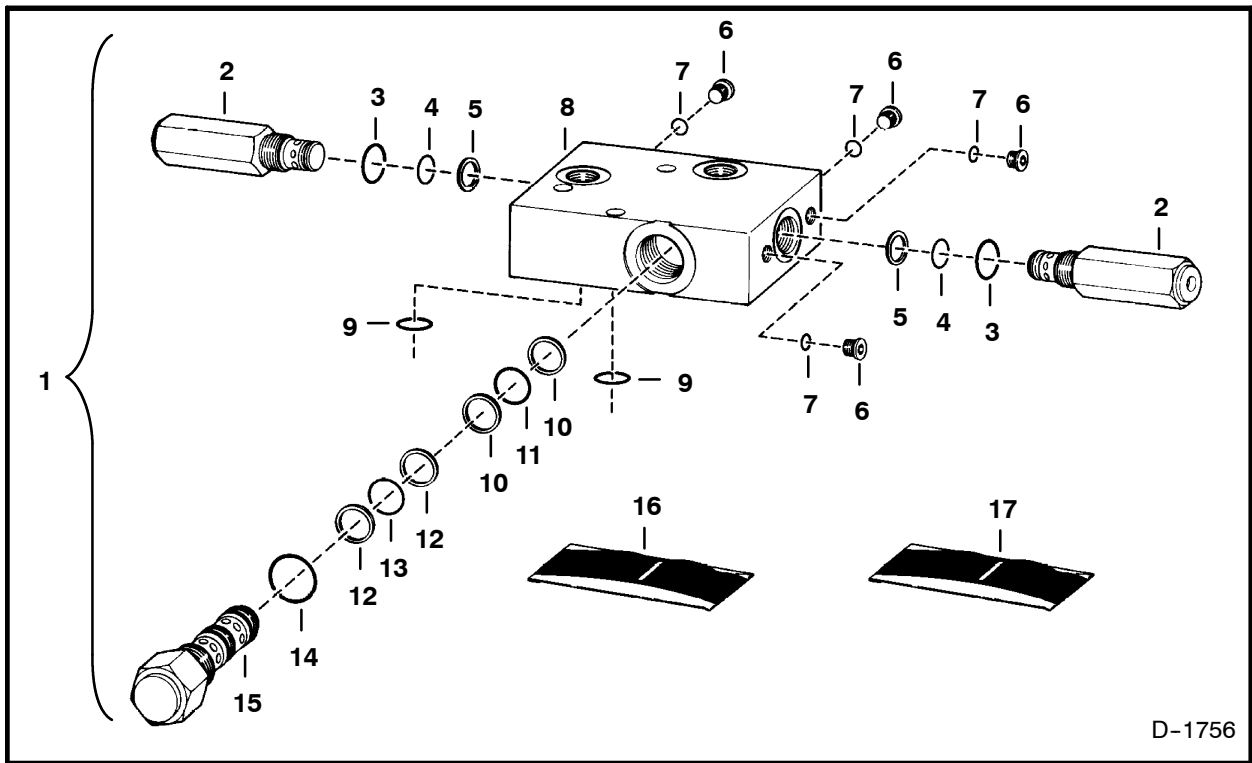
Ref. Part No.	Number	Description	Remarks	Serial Number	Qty.
1	6587808	CYLINDER	Ref. 2 - 15		1
2	6587811	CASE			1
3	92D-10	NUT			1
4	6586693	PISTON			1
5	6516231	SEAL	Was NSS		1
6	54K-30118	O-RING	Was NSS		1
7	79K-3	O-RING	for flat boss face		2
	95K-3	O-RING	for tapered boss face		2
8	NAP	PLUG	flat boss face - Was47K-2 [A]		2
	90KV-2	PLUG	tapered boss face		2
9	54K-40124	O-RING	Was NSS		1
10	73K-224	O-RING	Was NSS		1
11	82K-136	O-RING	Was 58K-136		1
12	6538595	HEAD			1
13	6667323	SEAL	rod - Was NSS		1
14	6666542	SEAL	wiper - Was NSS		1
15	6587809	ROD			1
16	6803474	SEAL KIT	W/Ref. 3, 5, 6, 8 - 10, 13 & 14 - Was 6589566 [A]		1

# HYDROSTATIC MOTOR Rock Hound - "A" Series



D-1757

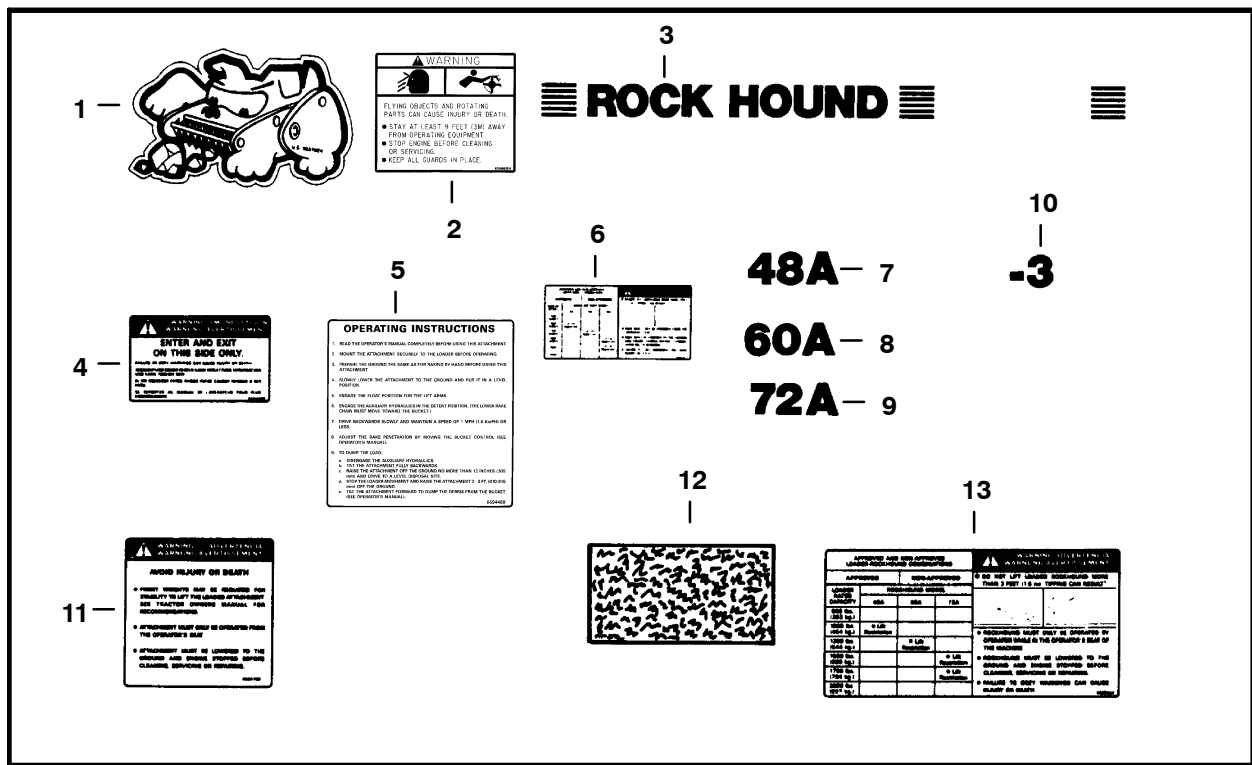




D-1756

### FLOW VALVE Rock Hound - "A" Series

Ref. Part No.	Part Number	Description	Remarks	Serial Number	Qty.
1	6632259	VALVE	W/Ref. 1 - 9		1
2	6632341	RELIEF VALVE	1750 PSI		2
3	NSS	O-RING			2
4	NSS	O-RING			2
5	NSS	BACK-UP RING			2
6	6632339	PLUG	W/O-Ring		3
7	79K-6	O-RING			3
8	6632338	BODY			1
9	6632340	O-RING			2
10	NSS	BACK-UP RING			2
11	NSS	O-RING			1
12	NSS	BACK-UP RING			2
13	NSS	O-RING			1
14	NSS	O-RING			1
15	6632257	REGULATOR	flow (5 GPM)		1
	6632258	REGULATOR	flow (10 GPM)		1
16	6632343	SEAL KIT	Ref. 10 - 14		1
17	6632342	SEAL KIT	Ref. 3 - 5		1

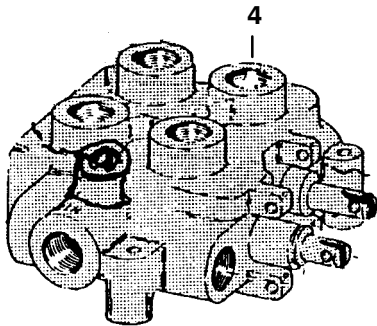
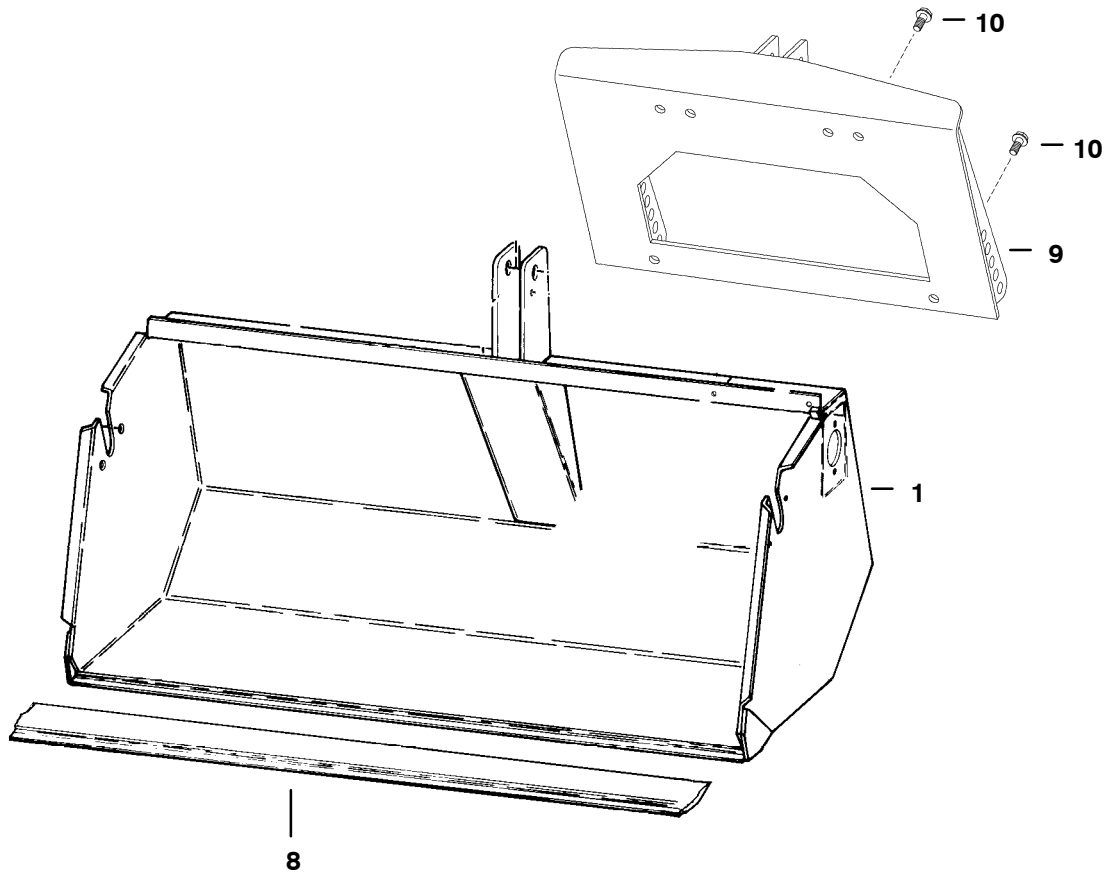


## DECALS Rock Hound - "A" Series

Ref. Part No.	Part Number	Description	Remarks	Serial Number	Qty.
1	6594536	DECAL	Rockhound		2
2	6708822	DECAL			2
3	6594535	DECAL	Rockhound Stripe		2
4	6594488	DECAL	exit		1
5	6708061	DECAL	operating		1
6	6529335	DECAL	warning		1
7	6594537	DECAL	48A		2
8	6594660	DECAL	60A		2
9	6594717	DECAL	72A		2
10	6594538	DECAL	-3 (Used on Ref. 7-9 for 3 point)		2
11	6594766	DECAL	warning		1
12	6594485	SAFETY TREAD	48A, 48A-3		1
13	6594639	SAFETY TREAD	60A, 60A-3		1
	6594737	SAFETY TREAD	72A, 72A-3		1
	6529347	DECAL	warning		1



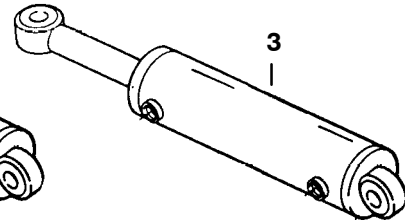
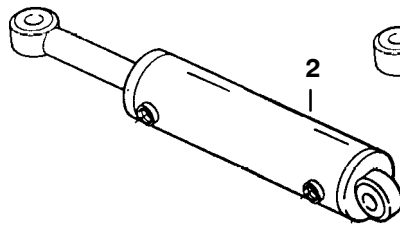
# ROCK HOUND Three-Point Hitch Mounted - "A" Series



5

**10 GPM (37,8 LPM)**

5524123



6

**OPERATING INSTRUCTIONS**

1. READ THE OPERATOR'S MANUAL COMPLETELY BEFORE USING THIS ATTACHMENT.
2. MOUNT THE ATTACHMENT SECURELY TO THE TRACTOR BEFORE OPERATING.
3. PREPARE THE GROUND THE SAME AS FOR RAKING BY HAND BEFORE USING THIS ATTACHMENT.
4. SLOWLY LOWER THE ATTACHMENT TO THE GROUND AND PUT IT IN A LEVEL POSITION.
5. ENGAGE THE AUXILIARY HYDRAULICS IN THE DUMP POSITION. (THE LOWER RAKE CHAIN MUST MOVE TOWARD THE BUCKET.)
6. DRIVE FORWARD SLOWLY AND MAINTAIN A SPEED OF 1.5 MPH (2.4 km/h) OR LESS.
7. ADJUST THE GROUND PENETRATION BY MOVING THE HYDRAULIC CYLINDER OR ADJUSTING LENGTH OF CENTER LINK (SEE OPERATOR'S MANUAL).
8. TO DUMP THE LOAD:
  - a. DISENGAGE THE AUXILIARY HYDRAULICS.
  - b. RETRACT THE CENTER LINK CYLINDER TO TILT ATTACHMENT UP.
  - c. RAISE THE ATTACHMENT OFF THE GROUND NO MORE THAN 12 INCHES (305 mm) AND DRIVE TO A LEVEL DISPOSAL SITE.
  - d. STOP THE TRACTOR MOVEMENT AND RAISE THE ATTACHMENT ALL THE WAY UP.
  - e. USE THE CENTER LINK CYLINDER TO TILT THE ATTACHMENT DOWN TO DUMP THE DEBRIS FROM THE BUCKET (SEE OPERATOR'S MANUAL).

6594780

7

**WARNING ADVERTENCIA  
WARNING AVERTISSEMENT**

**AVOID INJURY OR DEATH**

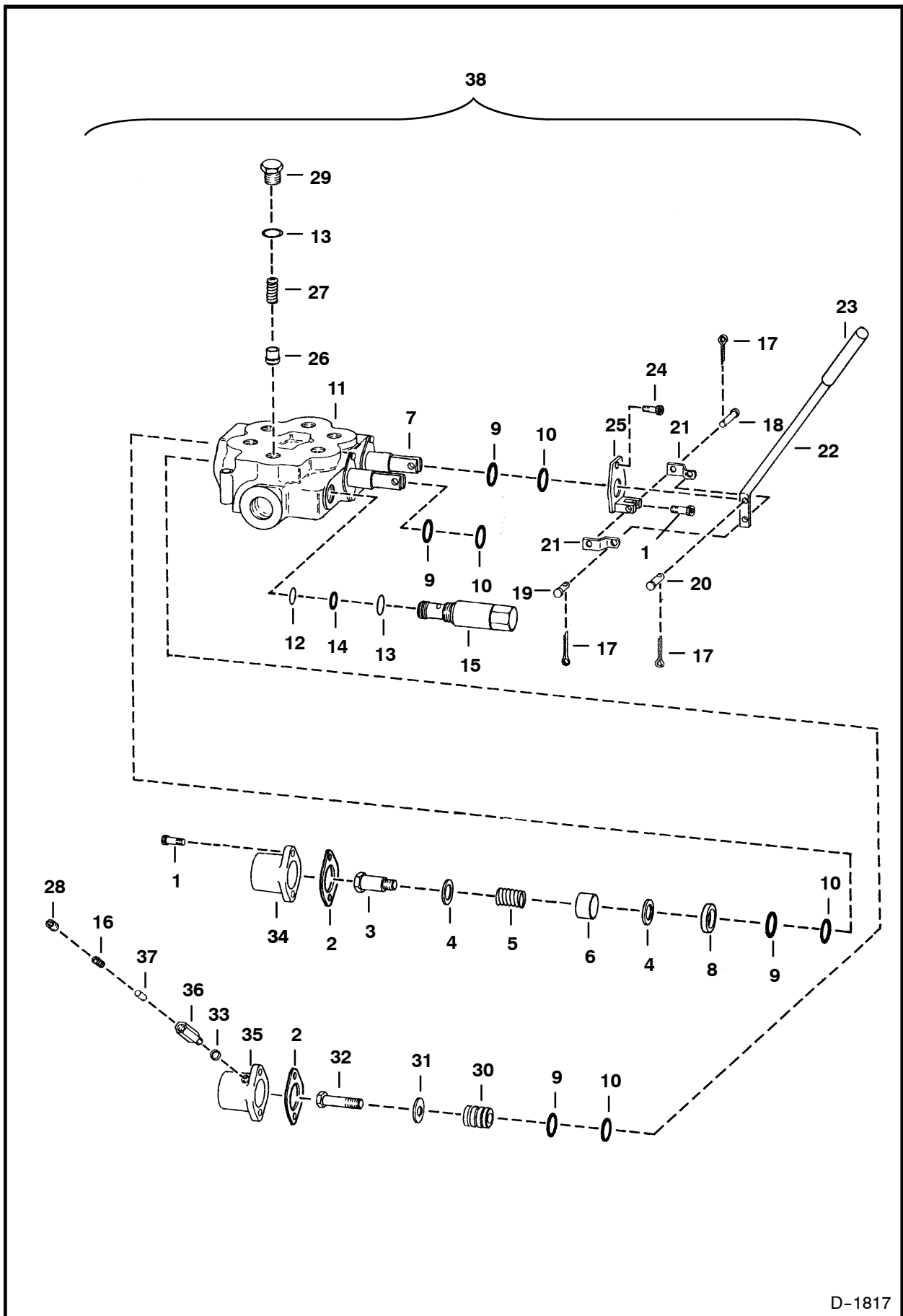
- FRONT WEIGHTS MAY BE REQUIRED FOR STABILITY TO LIFT THE LOADED ATTACHMENT. SEE TRACTOR OWNERS MANUAL FOR RECOMMENDATIONS.
- ATTACHMENT MUST ONLY BE OPERATED FROM THE OPERATOR'S SEAT.
- ATTACHMENT MUST BE LOWERED TO THE GROUND AND ENGINE STOPPED BEFORE CLEANING, SERVICING OR REPAIRING.

6594766

See Pages 2 - 20 For Other Service Parts.

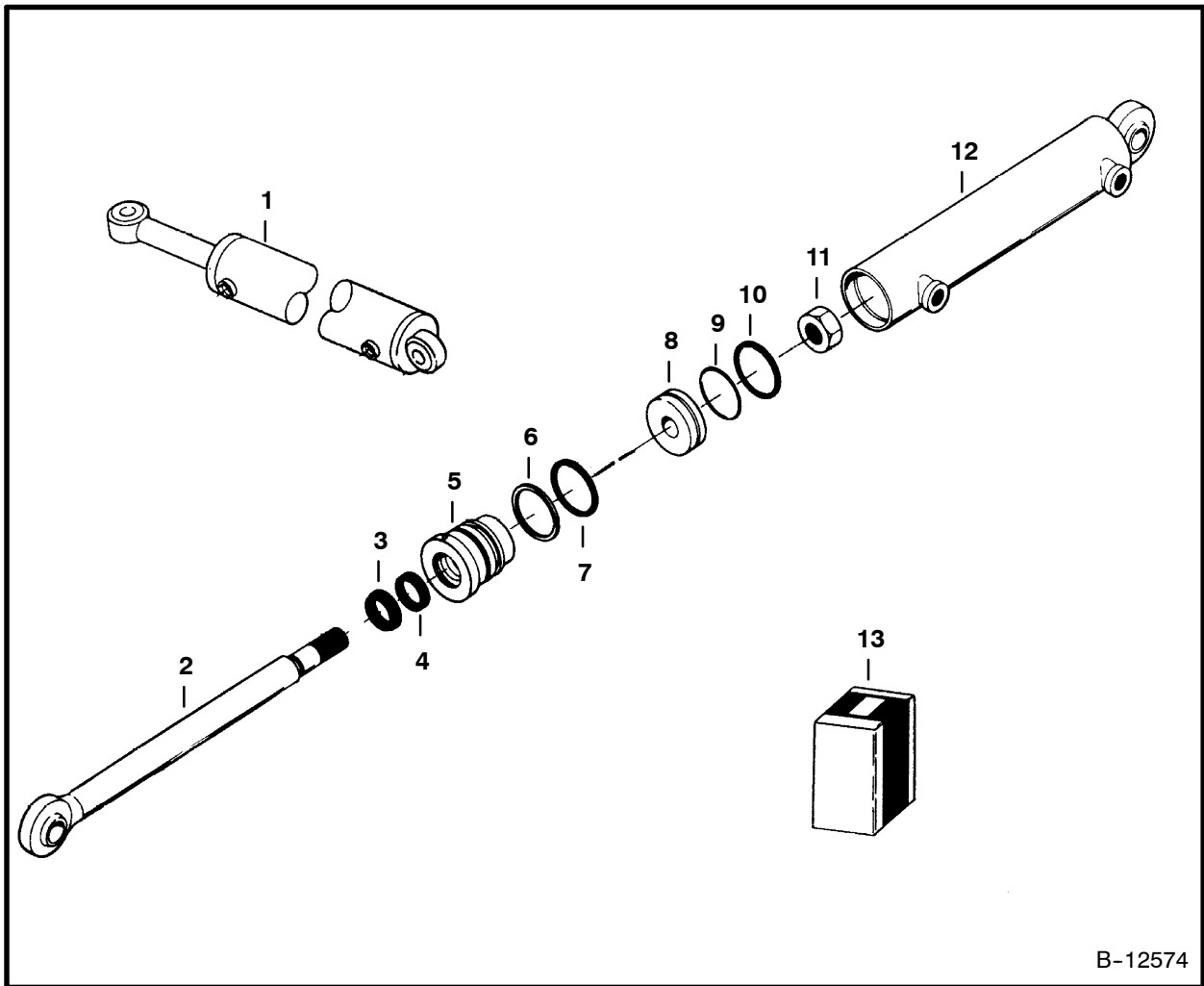


VALVE  
Rock Hound - Three-Point Hitch - "A" or "B" Series



**VALVE (Cont'd)**  
**Rock Hound - Three-Point Hitch - "A" or "B" Series**

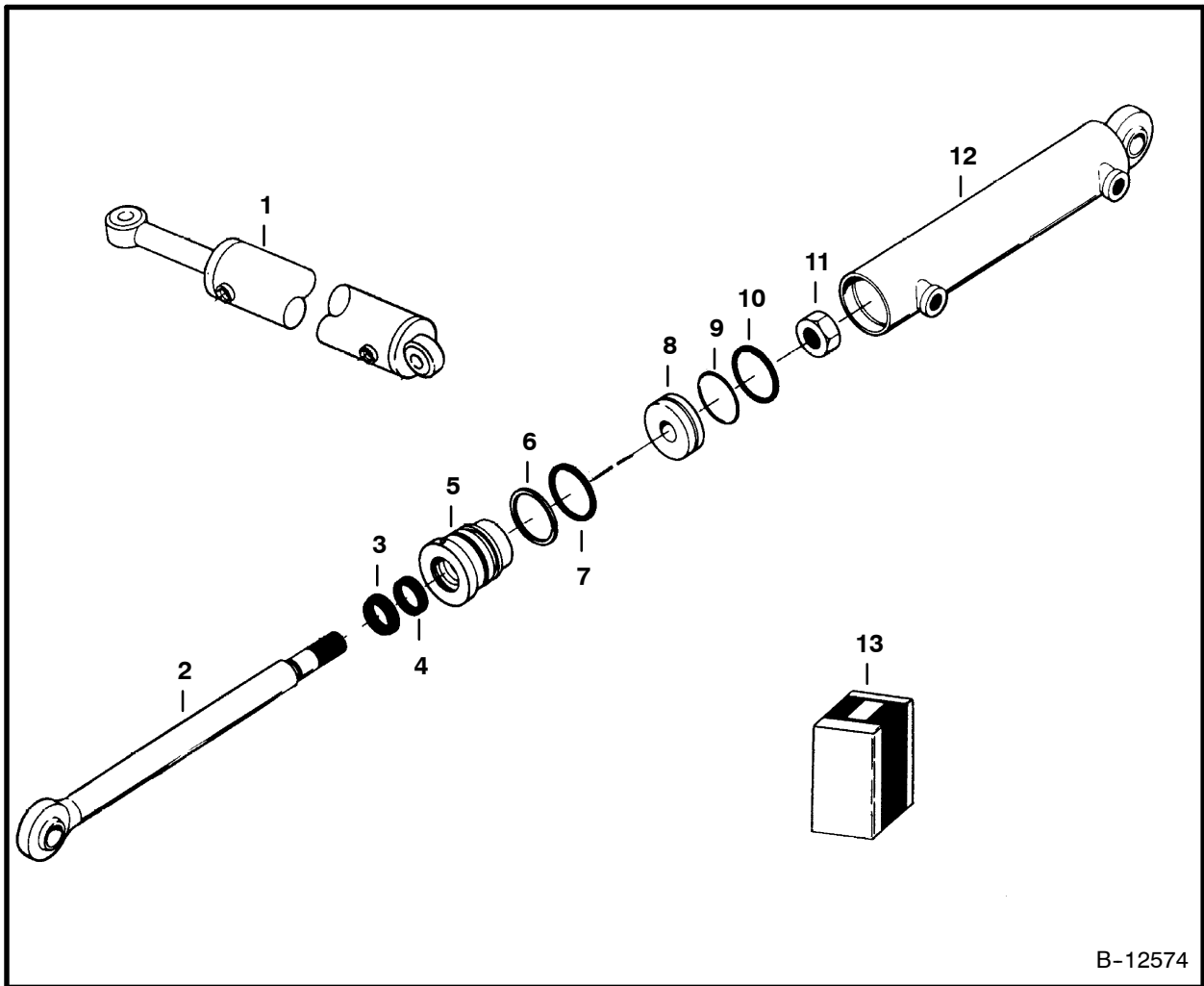
Ref. No.	Part Number	Description	Remarks	Serial Number	Qty.
1	73G-412	BOLT			5
2	6634904	SEAL RETAINER			2
3	6643258	BOLT			1
4	6643259	WASHER			1
5	6643260	SPRING			1
6	6643261	SPACER			1
7	NSS	SPOOL			1
8	6643262	SPACER			1
9	6634902	WIPER			4
10	6634903	QUAD RING			4
11	NSS	BODY			1
12	6643263	O-RING			1
13	6643264	O-RING			1
14	6643265	WASHER	back-up		1
15	6643266	RELIEF VALVE			1
16	6643267	SPRING			1
17	1F-308	COTTER PIN			3
18	6643268	PIN			1
19	6643269	PIN			1
20	6643270	PIN			1
21	6643271	LINKAGE			1
22	6643272	HANDLE			1
23	6643273	GRIP			1
24	73G-408	BOLT			1
25	6643274	BRACKET	clevis		1
26	6643275	POPPET			1
27	6643276	SPRING			1
28	33G-508	SET SCREW			1
29	6643277	PLUG			1
30	6643278	SLEEVE	detent		1
31	6643279	WASHER			1
32	17C-524	BOLT			1
33	6643280	WASHER			1
34	6643281	CAP			1
35	6643282	CAP			1
36	6643283	HOUSING	detent		1
37	6643284	POINT			1
38	6653546	VALVE	Was 6632391		1



B-12574

**BUCKET CYLINDER**  
**Three-Point Hitch Mounted - "A" or "B" Series**

Ref. No.	Part Number	Description	Remarks	Serial Number	Qty.
1	6632389	CYLINDER			1
2	6643244	ROD			1
3	NSS	SEAL			1
4	NSS	SEAL			1
5	6643243	HEAD			1
6	NSS	RING			1
7	NSS	O-RING			1
8	6643241	PISTON			1
9	NSS	SEAL			1
10	NSS	WASHER	back-up		1
11	6643240	NUT			1
12	6643242	BARREL			1
13	6643245	SEAL KIT	Ref. 3, 4, 6, 7, 9 & 10		1



B-12574

**BUCKET CYLINDER**  
**Three-Point Hitch Mounted - "A" or "B" Series**

Ref. No.	Part Number	Description	Remarks	Serial Number	Qty.
1	6632390	CYLINDER			1
2	6643247	ROD			1
3	NSS	SEAL			1
4	NSS	SEAL			1
5	6643243	HEAD			1
6	NSS	RING			1
7	NSS	O-RING			1
8	6643241	PISTON			1
9	NSS	SEAL			1
10	NSS	WASHER	back-up		1
11	6643240	NUT			1
12	6643246	BARREL			1
13	6643248	SEAL KIT	Ref. 3, 4, 6, 7, 9 & 10		1

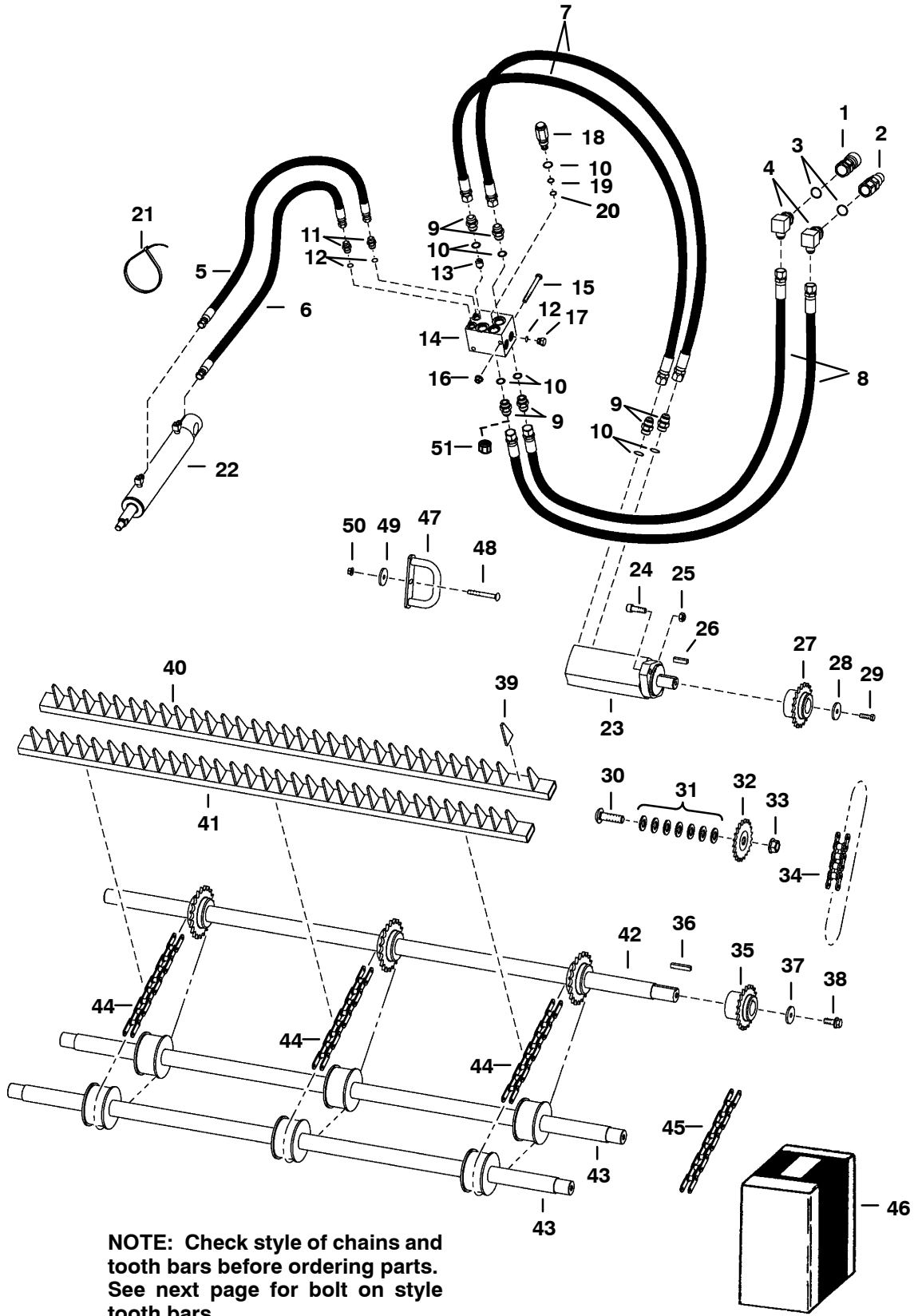


**ROCK HOUND (Cont'd)**  
**5 Foot(1524mm) & 6 Foot(1829mm) - "B" Series**

Ref. No.	Part Number	Description	Remarks	Serial Number	Qty.
1		CYLINDER	See Page 33		1
2	10H-25	GREASE ZERK			1
3	6711291	BUSHING			1
4	17C-1280	BOLT	Was 31C-1272 [B]		1
5	83D-12	NUT			5
6	6577917	STEP			1
7	6710757	BUCKET	5 ft.(1524mm)		1
	6710758	BUCKET	6 ft.(1829mm)		1
8	7101774	CUTTING EDGE	5 ft.(1524mm) - 6704571		1
	7101775	CUTTING EDGE	6 ft.(1829mm) - 6704572		1
9	31C-816	BOLT			2
10	6704978	WASHER			9
11	6704958	PIVOT			1
12	1657083	SEAL			2
13	6706320	PIVOT			1
14	17C-830	BOLT			2
15	25E-22	WASHER			2
16	6704573	BUSHING			2
17	57D-8	NUT			2
18	6594434	SPRING			1
19	92D-10	NUT			1
20	6709110	FRAME	5 ft.(1524mm)		1
	6704985	FRAME	6 ft.(1829mm)		1
21	11H-15	GREASE ZERK			4
22	6704965	LINK			2
23	6710368	BUSHING			4
24	17C-1240	BOLT			4
25	84G-3712	BOLT			5
26	6710362	COVER			1
27	10C-824	BOLT	Was 6529377		20
28	61D-8	NUT			20
29	6667728	BEARING			4
30	6667727	BEARING			2
31	31C-820	BOLT			6
32	7110859	SPROCKET	5 ft.(1524mm) - 13 teeth - Was 6704993		1
	6709889	SPROCKET	6 ft.(1829mm) - 18 teeth	98 07 0352 & Bel.	1
	7110859	SPROCKET	6 ft.(1829mm) - 13 teeth - Was 6704993	98 07 0353 & Abv.	1
33	6704973	BOLT			2
34	61D-10	NUT			2
35	6706199	PLATE			2
36	6704953	SKID PLATE			4
37	30H-60	CLAMP			1
38	6713592	SPRING			1
39	6704974	MOUNT	L.H.		1
40	6704975	MOUNT	R.H.		1
41	6549146	BUSHING			2



**ROCK HOUND - HYDRAULICS & WELD ON TOOTH BARS**  
**5 Foot(1524mm) & 6 Foot(1829mm) - "B" Series**

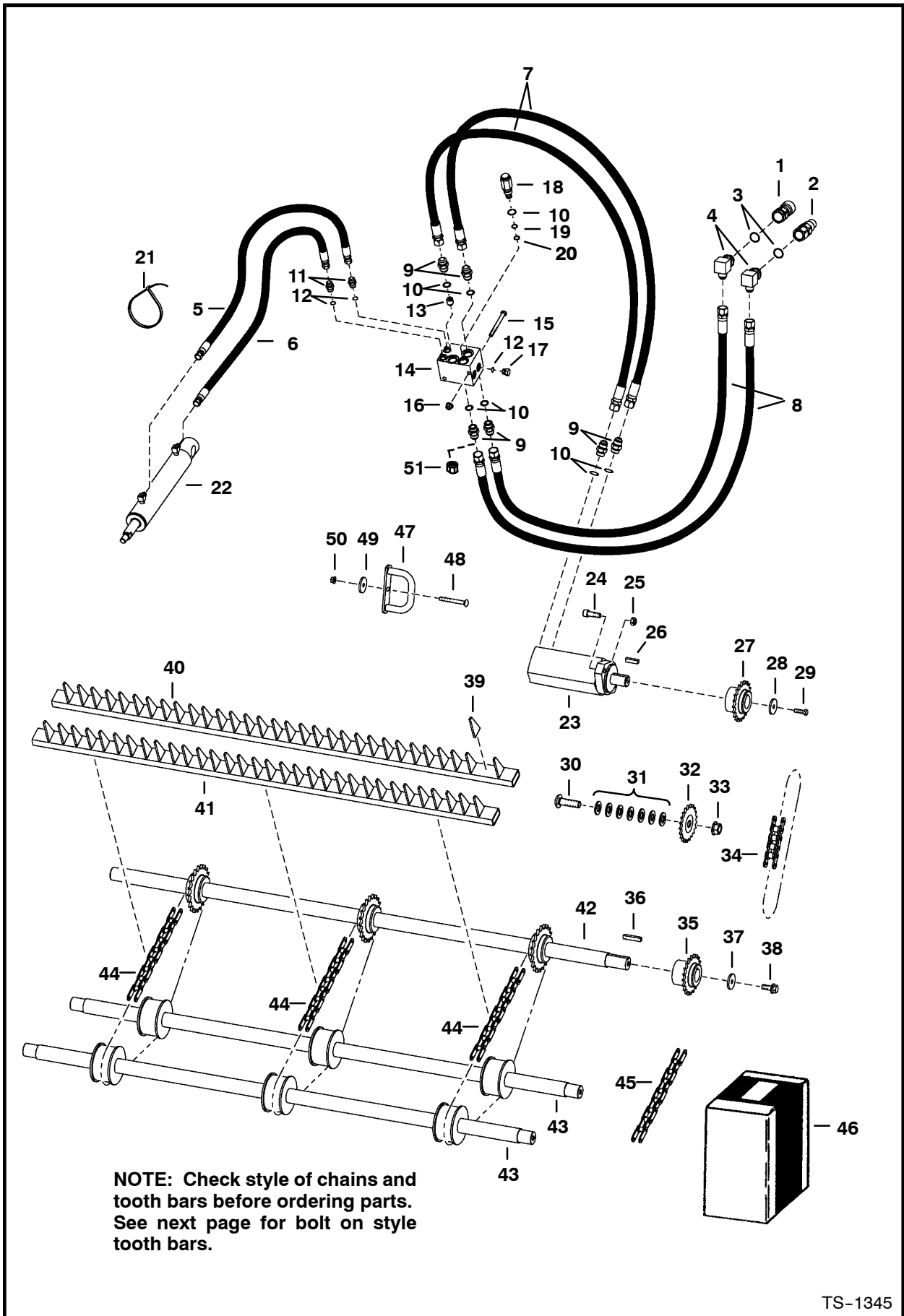


**NOTE:** Check style of chains and tooth bars before ordering parts. See next page for bolt on style tooth bars.

**ROCK HOUND - HYDRAULICS & WELD ON TOOTH BARS (Cont'd)**  
**5 Foot(1524mm) & 6 Foot(1829mm) - "B" Series**

Ref. No.	Part Number	Description	Remarks	Serial Number	Qty.
1	6672960	QUICK COUPLER	female FF - Was 6667807 [A]		1
2	6674688	COUPLER	male - flush face - Was 6667808 [A]		1
3	6672026	O-RING			1
	79K-12	O-RING			2
4	17KB-1012	ELBOW	Was 1302104 [A]		2
5	6711669	HOSE			1
6	6711670	HOSE			1
7	6711671	HOSE			2
8	NAP	HOSE	47" long - Order 6815774 - Was 6711668		2
	6815774	HOSE	52" long - used with vertical		
9	15K-7	FITTING	path loaders		2
	NAP	FITTING	flat boss face		6
			tapered boss face - order 15K-7		
10	79K-10	O-RING	Was 15KV-7 [A]		6
	99K-10	O-RING	for flat boss face		7
			for tapered boss face		7
11	15K-5	FITTING	flat boss face		2
	NAP	FITTING	tapered boss face - Was 15KV-5 [A]		2
12	15KB-606	FITTING	flat boss face		2
	79K-6	O-RING	for flat boss face		5
	99K-6	O-RING	for tapered boss face		5
13	6711387	POPPET			1
14	6710523	PORT BLOCK			1
15	17C-660	BOLT			2
16	83D-6	NUT			2
17	24K-5	PLUG	flat boss face		3
	NAP	PLUG	tapered boss face - order 24K-5 - Was 24KN-5 [A]		3
18	6668012	RELIEF VALVE			1
19	73K-014	BACKUP RING			1
20	58K-014	O-RING			1
21	6624289	NYLON TIE			2
22	6804526	CYLINDER	See page 33 - Was 6627705 [A]		1
23		MOTOR	See page 30 & 32		1
24	73G-824	BOLT			2
25	85D-8	NUT			2
26	6632292	KEY			1
27	7110860	SPROCKET	Was 6704996		1
28	872229	WASHER			1
29	31C-616	BOLT	Was 31C-620 [B]		1
30	10C-1248	BOLT	Was 10C-1236		1
31	25E-27	WASHER			8
32	6667920	SPROCKET	Idler		1
33	57D-12	NUT			1
34	6711713	CHAIN	5 ft.(1524mm)		1
	6711712	CHAIN	6 ft.(1829mm) - 43 pitch	98 07 0352 & Bel.	1
	6711713	CHAIN	6 ft.(1829mm) - 40 pitch	98 07 0353 & Abv.	1
	6510171	LINK			1

**ROCK HOUND - HYDRAULICS & WELD ON TOOTH BARS (Cont'd)**  
**5 Foot(1524mm) & 6 Foot(1829mm) - "B" Series**



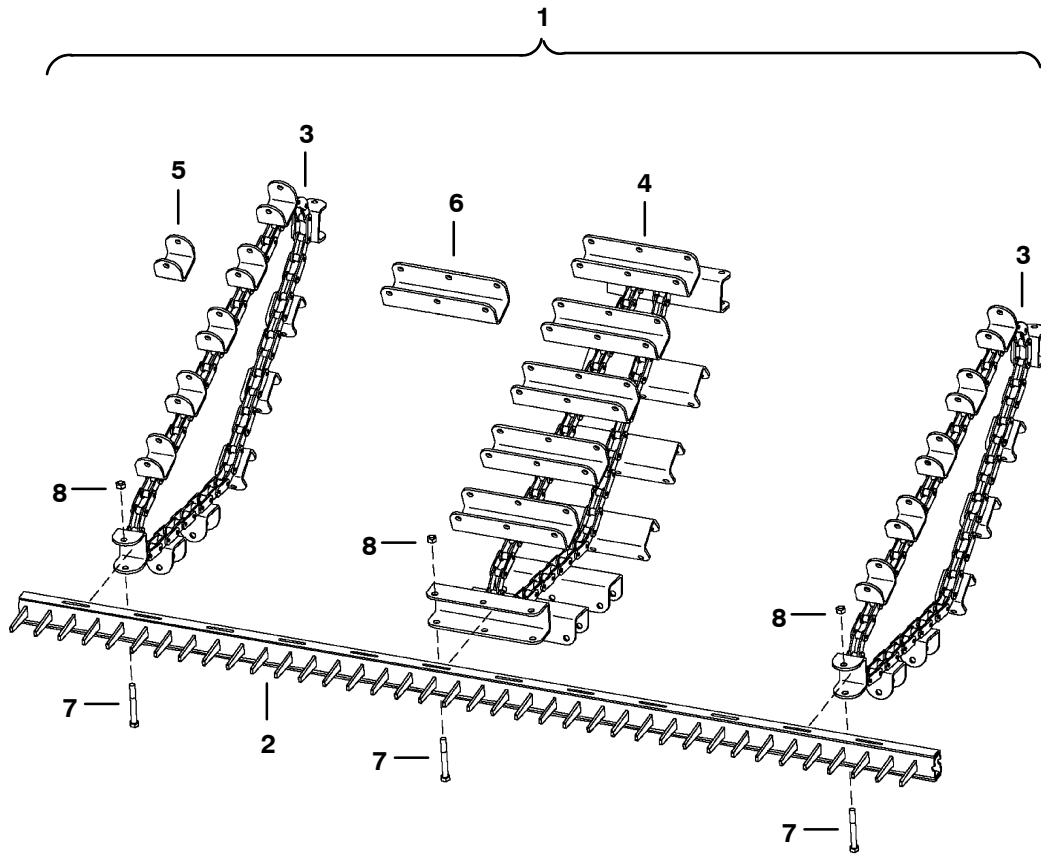
**NOTE: Check style of chains and tooth bars before ordering parts. See next page for bolt on style tooth bars.**

TS-1345

**ROCK HOUND - HYDRAULICS & WELD ON TOOTH BARS (Cont'd)**  
**5 Foot(1524mm) & 6 Foot(1829mm) - "B" Series**

Ref. No.	Part Number	Description	Remarks	Serial Number	Qty.
35	7110859	SPROCKET	5 ft.(1524mm) - Was 6704993	98 07 0352 & Bel.	1
	6709889	SPROCKET	6 ft.(1829mm) - 18 teeth		1
	7110859	SPROCKET	6 ft.(1829mm) - 13 teeth) -		
			Was 6704993	98 07 0353 & Abv.	1
36	7J-5104	KEY			1
37	6704978	WASHER			1
38	31C-820	BOLT			1
39	6704959	TOOTH			x
40	6712657	BAR ASSY	5 ft.(1524mm) - W/teeth on ends		6
41	6712659	BAR ASSY	6 ft.(1829mm) - W/teeth on ends		6
	6712658	BAR ASSY	5 ft.(1524mm) - W/space on ends		6
	6712660	BAR ASSY	6 ft.(1829mm) - W/space on ends		6
42	6709116	SHAFT	drive - 5 ft.(1524mm)		1
	6704969	SHAFT	drive - 6 ft.(1829mm)		1
43	6709114	SHAFT	idler - 5 ft.(1524mm)		2
44	6704971	SHAFT	idler - 6 ft.(1829mm)		2
	6707727	CHAIN			3
	6707729	LINK	connector - with cotter pins		1
	6675307	LINK	connector - 2060H - with flat keepers		1
45	6707728	CHAIN	service - 3 pitches		x
46	NAP	RAKE ASSY	5 ft.(1524mm) - W/weld-on tooth bars - W/Ref. 39-41 & 44 - Order 7125278 rake assy - Was 6709118		1
	7125278	RAKE ASSY	5 ft.(1524mm) - W/bolt-on tooth bars - see next page for parts		1
	NAP	RAKE ASSY	6 ft.(1829mm)-W/weld-on tooth bars - W/Ref. 39-41 & 44 - Order 7125350 rake assy- Was 6704964		1
	7125350	RAKE ASSY	6 ft.(1829mm) - W/bolt-on tooth bars - see next page for parts		1
47	6706160	HOSE GUIDE			1
48	7C-652	BOLT			1
	37C-680	BOLT	Was 7C-680		1
49	25E-17	WASHER			1
50	57D-6	NUT			1
51	6598939	CAP	Was 36K-7 [B]		2

**ROCKHOUND - BOLT ON TOOTH BARS**  
**5 Foot(1524mm) & 6 Foot(1829mm) - "B" Series**

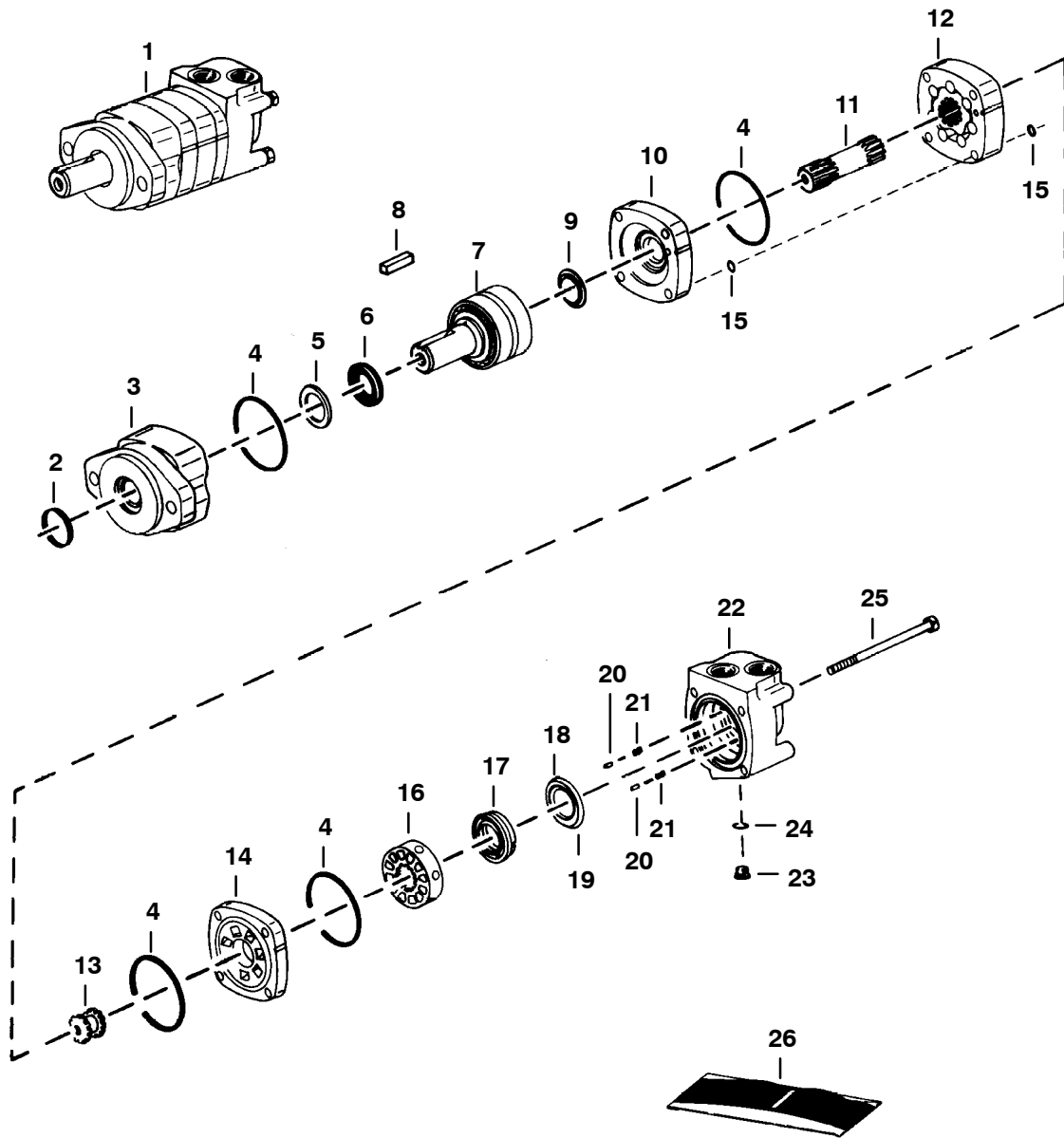


**NOTE: Check style of chains and tooth bars  
before ordering parts.  
See previous page for weld on style tooth bars.**



**HYDROSTATIC MOTOR**  
**Eaton 104-1784-006 - Rock Hound - "B" Series**

Motor Displacement: 24.03 cu. in.(393.8 cc)



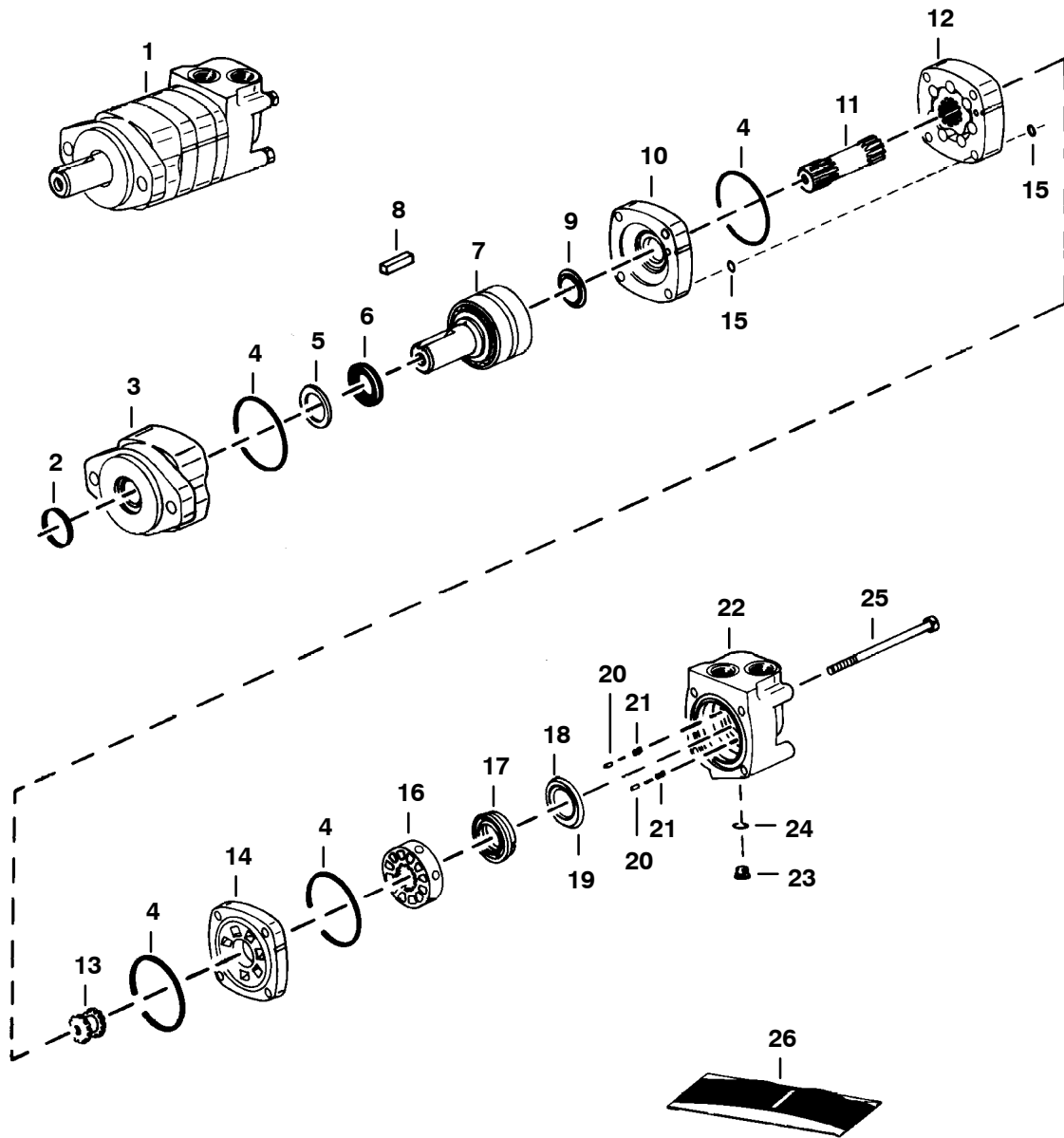
D-1757





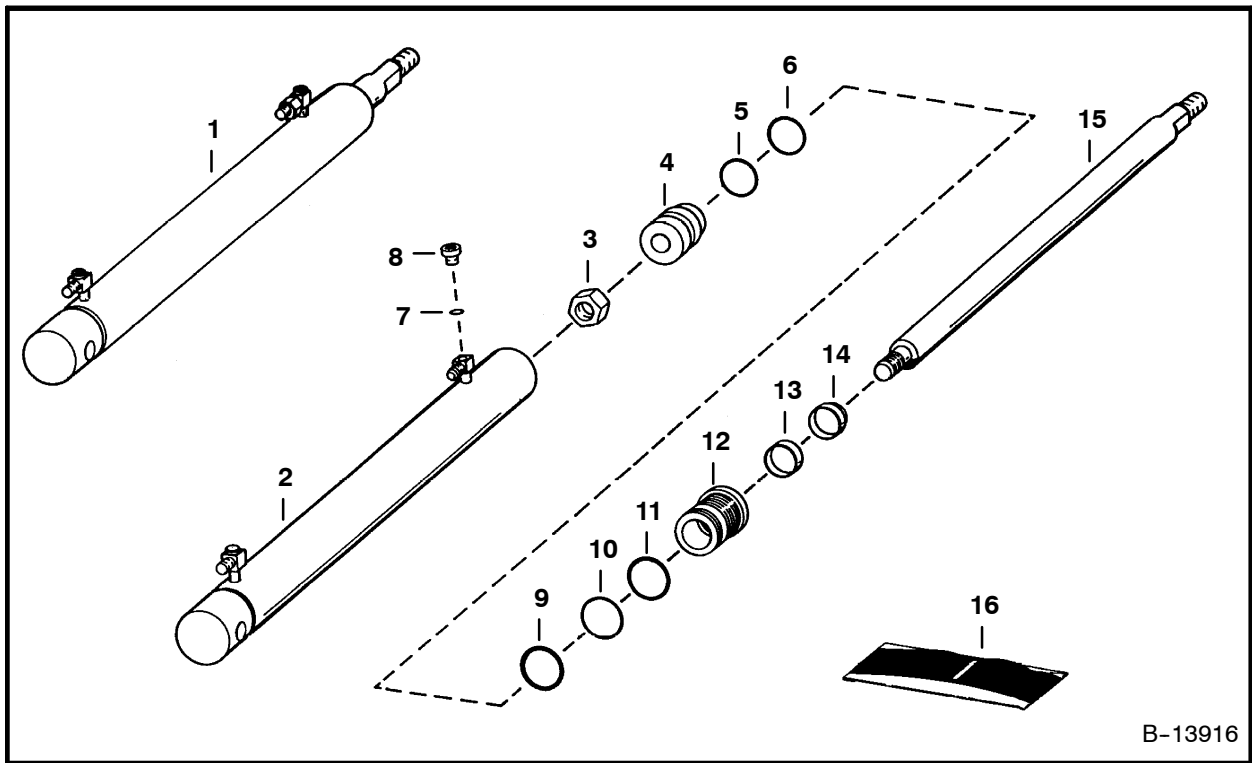
**HYDROSTATIC MOTOR**  
**Eaton 104-1785-006 - Rock Hound - "B" Series**

Motor Displacement: 11.89 cu. in. (194.8 cc.)



D-1757

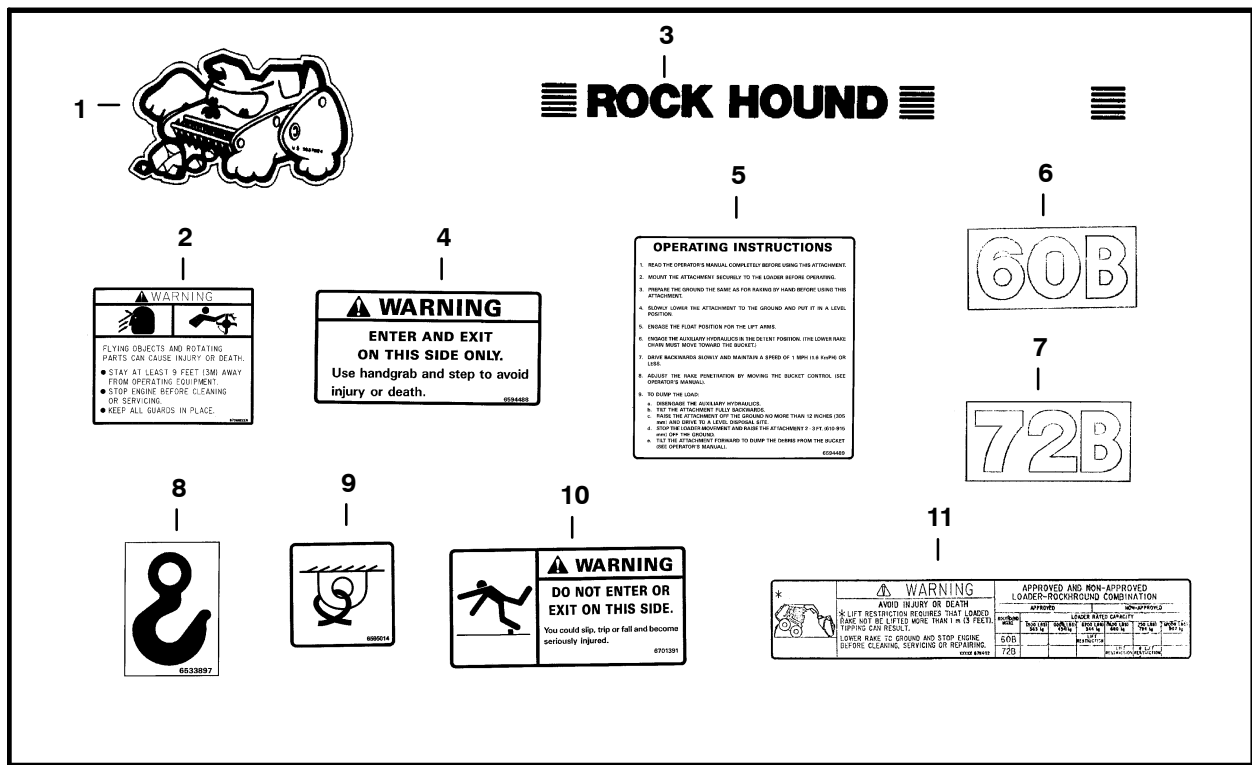




B-13916

**LIFT CYLINDER  
Landscape Rake - "B" Series**

Ref. Part No.	Number	Description	Remarks	Serial Number	Qty.
1	6810613	CYLINDER	Ref. 2 - 15 - Was 6804526 [A]		1
2	6627785	CASE			1
3	92D-10	NUT			1
4	6586693	PISTON			1
5	6516231	SEAL			1
6	54K-30118	O-RING	Was 25K-30118 [A]		1
7	79K-3	O-RING	for flat boss face		2
	95K-3	O-RING	for tapered boss face		2
8	NAP	PLUG	flat boss face - Was 47K-2 [A]		2
	90KV-2	PLUG	tapered boss face		2
9	54K-40124	O-RING	Was 25K-40124 [A]		1
10	73K-224	O-RING			1
11	82K-136	O-RING	Was 58K-136		1
12	6538595	HEAD			1
13	6667323	SEAL	Rod - Was 6704243 [A]		1
14	6666542	SEAL	Wiper - Was 1657083 [A]		1
15	6804527	ROD	Was 6587757 [A]		1
16	6803474	SEAL KIT	W/Ref. 3, 5, 6, 8 - 10, 13 & 14 - Was 6589566 [A]		1

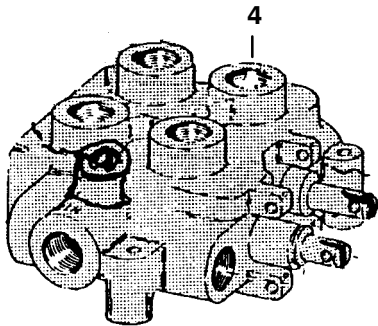
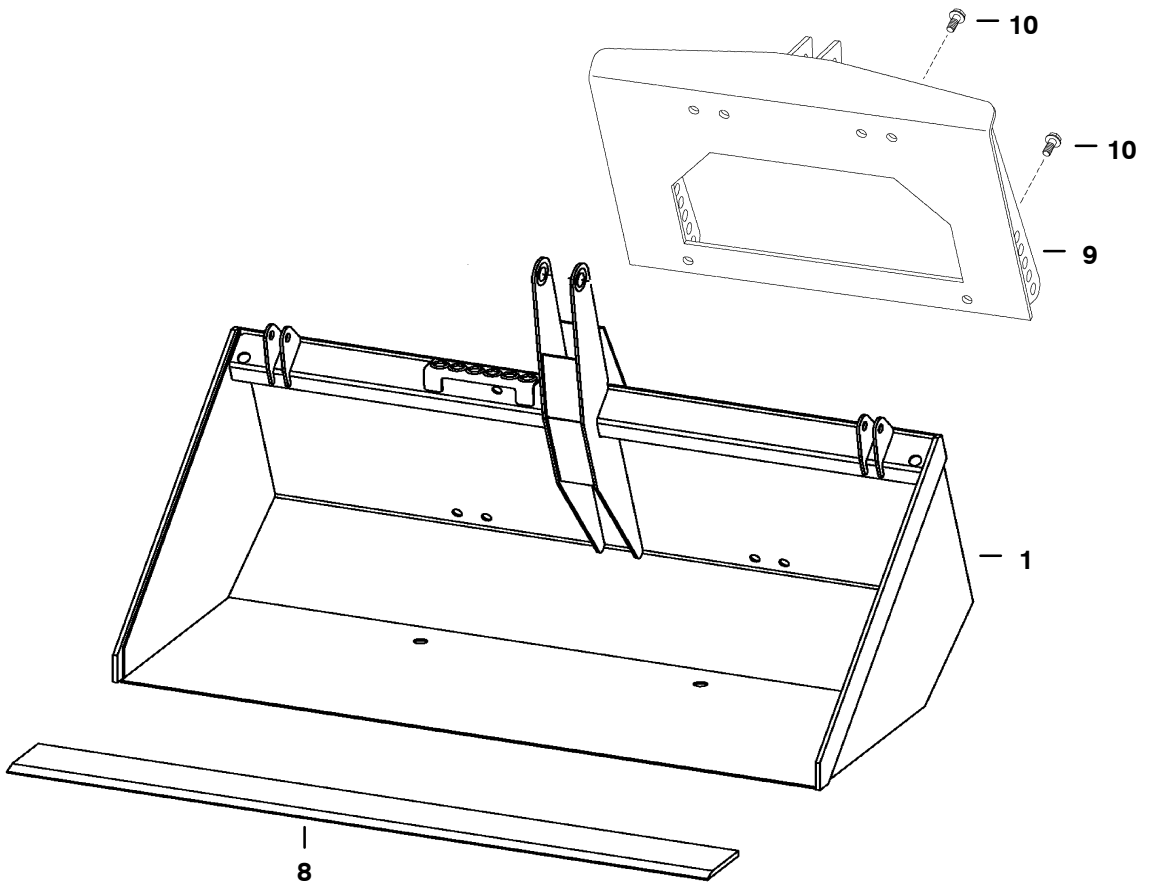


## DECALS

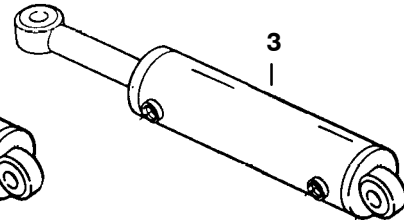
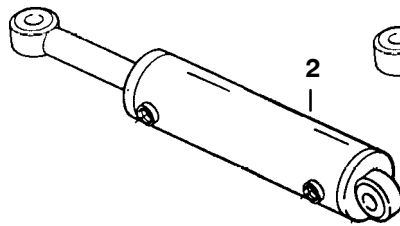
### Rock Hound - "B" Series

Ref. Part No.	Part Number	Description	Remarks	Serial Number	Qty.
1	6594536	DECAL	Rockhound		2
2	6708822	DECAL	warning		2
3	6594535	DECAL	Rockhound Stripe		2
4	6594488	DECAL	exit		1
5	6708061	DECAL	operating		1
6	6710938	DECAL	60B		2
7	6710941	DECAL	72B		2
8	6533898	DECAL	hook		2
9	6595014	DECAL	tie down		2
10	6701391	DECAL	exit		1
11	6711402	DECAL	warning		1

# ROCK HOUND Three-Point Hitch Mounted - "B" Series



**10 GPM (37,8 LPM)**  
5524129



**6**

**OPERATING INSTRUCTIONS**

1. READ THE OPERATOR'S MANUAL COMPLETELY BEFORE USING THIS ATTACHMENT.
2. MOUNT THE ATTACHMENT SECURELY TO THE TRACTOR BEFORE OPERATING.
3. PREPARE THE GROUND THE SAME AS FOR RAKING BY HAND BEFORE USING THIS ATTACHMENT.
4. SLOWLY LOWER THE ATTACHMENT TO THE GROUND AND PUT IT IN A LEVEL POSITION.
5. ENGAGE THE AUXILIARY HYDRAULICS IN THE DUMP POSITION. (THE LOWER RAKE CHAIN MUST MOVE TOWARD THE BUCKET.)
6. DRIVE FORWARD SLOWLY AND MAINTAIN A SPEED OF 1.5 MPH (2.4 km/h) OR LESS.
7. ADJUST THE GROUND PENETRATION BY MOVING THE HYDRAULIC CYLINDER OR ADJUSTING LENGTH OF CENTER LINK (SEE OPERATOR'S MANUAL).
8. TO DUMP THE LOAD:
  - a. DISENGAGE THE AUXILIARY HYDRAULICS.
  - b. RETRACT THE CENTER LINK CYLINDER TO TILT ATTACHMENT UP.
  - c. RAISE THE ATTACHMENT OFF THE GROUND NO MORE THAN 12 INCHES (305 mm) AND DRIVE TO A LEVEL DISPOSAL SITE.
  - d. STOP THE TRACTOR MOVEMENT AND RAISE THE ATTACHMENT ALL THE WAY UP.
  - e. USE THE CENTER LINK CYLINDER TO TILT THE ATTACHMENT DOWN TO DUMP THE DEBRIS FROM THE BUCKET (SEE OPERATOR'S MANUAL).

6094780

**7**

**WARNING ADVERTENCIA  
WARNING AVERTISSEMENT**

**AVOID INJURY OR DEATH**

- FRONT WEIGHTS MAY BE REQUIRED FOR STABILITY TO LIFT THE LOADED ATTACHMENT. SEE TRACTOR OWNERS MANUAL FOR RECOMMENDATIONS.
- ATTACHMENT MUST ONLY BE OPERATED FROM THE OPERATOR'S SEAT.
- ATTACHMENT MUST BE LOWERED TO THE GROUND AND ENGINE STOPPED BEFORE CLEANING, SERVICING OR REPAIRING.

6094766

See Pages 22 - 34 For Other Service Parts.



## NUMERICAL INDEX

Part No.	Description	Was	Code	Page
731793	ADAPTER			6
784244	ADAPTER			6
872229	WASHER			6, 24
1312113	ADAPTER			8
1657083	SEAL			4, 9, 22
1992084	SHAFT			12, 30, 32
1992088	SPRING			12, 30, 32
1992098	SEAL FACE			12, 30, 32
1992100	SEAL			12, 30, 32
1992102	PIN			12, 30, 32
1992104	PLUG			12, 30, 32
6505046	WASHER			2
6510171	LINK			24
6515191	LINK			6
6516231	SEAL			33
6516231	SEAL	NSS		9, 10
6529335	DECAL			14
6529347	DECAL			14
6529541	SPACER			2
6529543	BUSHING			2
6529547	ROD			9
6529554	TEE			6
6529579	CASE			9
6531677	HOSE	6567984	A	6
6531678	HOSE			8
6531679	HOSE			6
6533106	PIN	6529569	A	2
6533898	DECAL			34
6537669	HOSE			8
6538595	HEAD			10, 33
6538595	HEAD	6504933	A	9
6549146	BUSHING			22
6554414	PIN			2
6558196	PISTON			9
6563353	CLAMP			8
6569233	SAFETY TREAD			2
6577917	STEP			22
6586693	PISTON			33
6587808	CYLINDER			10
6587809	ROD			10
6587811	CASE			10
6593949	COLLAR			2
6594417	SPROCKET			6
6594428	KEY			4
6594431	RETAINER			2
6594434	SPRING			2, 22
6594448	SHAFT			6
6594451	RAKE ASSY			8
6594452	SPROCKET			6
6594453	CHAIN			6
6594460	SCREEN			2

Code for disposition of old part number  
A — Use up  
B — Use on other application (See PNI)

C — File PDR Report with Bobcat Parts Sales  
D — Part Number Error

**NUMERICAL INDEX (Cont'd)**

<b>Part No.</b>	<b>Description</b>	<b>Was</b>	<b>Code</b>	<b>Page</b>
6594472	PLATE			4
6594483	HINGE			2
6594485	SAFETY TREAD			14
6594488	DECAL			14, 34
6594496	BRACKET			2
6594497	SPROCKET			6
6594498	SPROCKET			6
6594535	DECAL			14, 34
6594536	DECAL			14, 34
6594537	DECAL			14
6594538	DECAL			14
6594599	CHAIN			8
6594627	SHAFT			6
6594629	RAKE ASSY			8
6594633	SCREEN			2
6594639	SAFETY TREAD			2, 14
6594642	CHAIN			6
6594643	SPROCKET			6
6594649	DECAL			16, 36
6594660	DECAL			14
6594685	BAR ASSY			8
6594686	BAR ASSY			8
6594687	BAR ASSY			8
6594688	BAR ASSY			8
6594689	BAR ASSY			8
6594690	BAR ASSY			8
6594717	DECAL			14
6594730	SHAFT			6
6594737	SAFETY TREAD			14
6594738	SCREEN			2
6594740	PLATE			2
6594741	PLATE			4
6594765	DECAL			16
6594766	DECAL			14, 16, 36
6595014	DECAL			34
6596693	PISTON			10
6598757	QUICK COUPLER			6
6598758	QUICK COUPLER			6
6598939	CAP	36K-7	B	26
6624289	NYLON TIE			8, 24
6627785	CASE			33
6630027	BALANCE RING			12, 30, 32
6630029	SEAL			12, 30, 32
6631698	VALVE			8
6632191	BEARING			2
6632193	MOTOR			12
6632257	REGULATOR			13
6632258	REGULATOR			13
6632259	VALVE			13
6632285	HOUSING			12, 30, 32
6632286	WEAR PLATE			12, 30, 32

Code for disposition of old part number  
A — Use up  
B — Use on other application (See PNI)

C — File PDR Report with Bobcat Parts Sales  
D — Part Number Error



**NUMERICAL INDEX (Cont'd)**

<b>Part No.</b>	<b>Description</b>	<b>Was</b>	<b>Code</b>	<b>Page</b>
6632288	VALVE			12, 30, 32
6632289	HOUSING			12
6632290	SHAFT ASSY			12, 30, 32
6632292	KEY			12, 24, 30, 32
6632293	SHAFT			12, 32
6632294	GEROLER			12, 32
6632298	BOLT			12, 32
6632338	BODY			13
6632339	PLUG			13
6632340	O-RING			13
6632341	RELIEF VALVE			13
6632342	SEAL KIT			13
6632343	SEAL KIT			13
6632348	HOUSING			30, 32
6632387	LINK			6
6632389	CYLINDER			16, 19, 36
6632390	CYLINDER			16, 20, 36
6632444	LINK			6
6634902	WIPER			18
6634903	QUAD RING			18
6634904	SEAL RETAINER			18
6635878	VALVE THROTTLE			6
6643240	NUT			19, 20
6643241	PISTON			19, 20
6643242	BARREL			19
6643243	HEAD			19, 20
6643244	ROD			19
6643245	SEAL KIT			19
6643246	BARREL			20
6643247	ROD			20
6643248	SEAL KIT			20
6643258	BOLT			18
6643259	WASHER			18
6643260	SPRING			18
6643261	SPACER			18
6643262	SPACER			18
6643263	O-RING			18
6643264	O-RING			18
6643265	WASHER			18
6643266	RELIEF VALVE			18
6643267	SPRING			18
6643268	PIN			18
6643269	PIN			18
6643270	PIN			18
6643271	LINKAGE			18
6643272	HANDLE			18
6643273	GRIP			18
6643274	BRACKET			18
6643275	POPPET			18
6643276	SPRING			18
6643277	PLUG			18

Code for disposition of old part number  
 A — Use up  
 B — Use on other application (See PNI)

C — File PDR Report with Bobcat Parts Sales  
 D — Part Number Error

**NUMERICAL INDEX (Cont'd)**

<b>Part No.</b>	<b>Description</b>	<b>Was</b>	<b>Code</b>	<b>Page</b>
6643278	SLEEVE			18
6643279	WASHER			18
6643280	WASHER			18
6643281	CAP			18
6643282	CAP			18
6643283	HOUSING			18
6643284	POINT			18
6647668	KNOB			8
6648973	SEAL KIT			12, 30, 32
6649685	BEARING	6636011	A	2
6651951	BOLT			30
6653300	SEAL			12, 30, 32
6653546	VALVE	6632391	A	16, 18, 36
6656368	PLATE			30, 32
6656368	PLATE	6632287	A	12
6661615	SPROCKET			8
6666542	SEAL	1657083	A	33
6666542	SEAL	NSS		10
6667323	SEAL	6704243	A	33
6667323	SEAL	NSS		9, 10
6667727	BEARING			22
6667728	BEARING			22
6667920	SPROCKET			24
6668012	RELIEF VALVE			24
6669150	SHAFT			30
6669151	GEROLER			30
6669328	MOTOR	6668686	A	30
6669332	MOTOR	6668687	A	32
6672026	O-RING			6, 24
6672960	QUICK COUPLER	6667807	A	6, 24
6674688	QUICK COUPLER	6667808	A	6, 24
6675307	LINK			6, 26
6701391	DECAL			34
6704570	CUTTING EDGE	6594473	A	4, 16
6704573	BUSHING			2, 22
6704575	FRAME	6529572	A	2
6704576	FRAME	6529573	A	2
6704577	FRAME	6529573	A	2
6704579	SHAFT	6594441	A	6
6704580	SHAFT	6594622	A	6
6704582	SHAFT	6594724	A	6
6704671	HOSE			8
6704672	HOSE			8
6704674	COVER			4
6704852	BUSHING			8
6704858	GUARD	6594479	A	2
6704866	BUCKET	6537809	A	2
6704866	BUCKET	6594588	A	16
6704867	BUCKET	6537811	A	2
6704867	BUCKET	6594592	A	16
6704868	BUCKET	6537813	A	2

Code for disposition of old part number  
A — Use up  
B — Use on other application (See PNI)

C — File PDR Report with Bobcat Parts Sales  
D — Part Number Error

**NUMERICAL INDEX (Cont'd)**

<b>Part No.</b>	<b>Description</b>	<b>Was</b>	<b>Code</b>	<b>Page</b>
6704868	BUCKET	6594596	A	16
6704953	SKID PLATE			22
6704958	PIVOT			22
6704959	TOOTH			26
6704959	TOOTH	6594457	A	6
6704965	LINK			22
6704969	SHAFT			26
6704971	SHAFT			26
6704973	BOLT			22
6704974	MOUNT			22
6704975	MOUNT			22
6704978	WASHER			22, 26
6704985	FRAME			22
6705148	MOUNT			16, 36
6705839	WASHER			4
6706160	GUIDE			8, 26
6706199	PLATE			22
6706320	PIVOT			22
6707727	CHAIN			6, 26
6707728	CHAIN			8, 26
6707729	LINK			6, 26
6707730	BAR ASSY			8
6707731	BAR ASSY			8
6708061	DECAL			14, 34, 36
6708524	BAR ASSY			8
6708525	BAR ASSY			8
6708822	DECAL			14, 34
6709110	FRAME			22
6709114	SHAFT			26
6709116	SHAFT			26
6709889	SPROCKET			22, 26
6710362	COVER			22
6710368	BUSHING			22
6710523	PORT BLOCK			24
6710757	BUCKET			22, 36
6710758	BUCKET			22, 36
6710938	DECAL			34
6710941	DECAL			34
6711291	BUSHING			22
6711387	POPPET			24
6711402	DECAL			34
6711669	HOSE			24
6711670	HOSE			24
6711671	HOSE			24
6711712	CHAIN			24
6711713	CHAIN			24
6712657	BAR ASSY			26
6712658	BAR ASSY			26
6712659	BAR ASSY			26
6712660	BAR ASSY			26
6713592	SPRING			22

Code for disposition of old part number  
A — Use up  
B — Use on other application (See PNI)

C — File PDR Report with Bobcat Parts Sales  
D — Part Number Error

**NUMERICAL INDEX (Cont'd)**

<b>Part No.</b>	<b>Description</b>	<b>Was</b>	<b>Code</b>	<b>Page</b>
6803472	SEAL KIT	6587790	A	9
6803474	SEAL KIT	6589566	A	10, 33
6804526	CYLINDER	6627705	A	24
6804527	ROD	6587757	A	33
6810613	CYLINDER	6804526	A	33
6815774	HOSE			24
7101774	CUTTING EDGE	6704571		4, 16, 22, 36
7101775	CUTTING EDGE	6704572		4, 16, 22, 36
7110859	SPROCKET	6704993		22, 26
7110860	SPROCKET	6704996		24
7120497	MOUNT			28
7120698	MOUNT			28
7120699	CHAIN ASSY			28
7124498	CHAIN ASSY			28
7125207	BAR ASSY			28
7125276	BAR ASSY			28
7125278	RAKE ASSY			26, 28
7125350	RAKE ASSY			26, 28
1F-308	COTTER PIN			18
4E-8	WASHER			6
7C-652	BOLT			26
7J-4100	KEY			6
7J-5104	KEY			6, 26
9G-824	BOLT			2
9G-832	BOLT			6
10C-824	BOLT	6529377		2, 22
10C-1248	BOLT	10C-1236		24
10H-25	GREASE ZERK			4, 22
11H-15	GREASE ZERK			2, 22
13G-1048	BOLT			2
13K-6	TEE			8
13K-7	TEE			6
14J-3148	ROLL PIN			2
15K-5	FITTING			24
15K-6	ADAPTER			8
15K-7	FITTING			24
15KB-606	FITTING			24
17C-516	BOLT			2
17C-524	BOLT			18
17C-548	BOLT	17C-544	A	2
17C-616	BOLT			6
17C-620	BOLT	17C-616	B	2
17C-632	BOLT			2, 6
17C-644	BOLT			28
17C-660	BOLT			24
17C-680	BOLT			8
17C-720	BOLT			2
17C-828	BOLT			6
17C-830	BOLT			22
17C-830	BOLT	18C-824	B	2
17C-1240	BOLT			22

Code for disposition of old part number  
A — Use up  
B — Use on other application (See PNI)

C — File PDR Report with Bobcat Parts Sales  
D — Part Number Error

**NUMERICAL INDEX (Cont'd)**

<b>Part No.</b>	<b>Description</b>	<b>Was</b>	<b>Code</b>	<b>Page</b>
17C-1280	BOLT	31C-1272	B	22
17K-7	ELBOW			6
17KB-1012	ELBOW	1302104		6, 24
21K-6	TEE			8
24K-5	PLUG			24
25E-4	WASHER			8
25E-15	WASHER			2
25E-17	WASHER			6, 26
25E-22	WASHER			2, 22
25E-27	WASHER			24
30H-60	CLAMP			2, 22
31C-616	BOLT	31C-620	B	24
31C-816	BOLT			22
31C-820	BOLT			22, 26
31C-1036	BOLT			8
31C-1224	BOLT			16, 36
33G-508	SET SCREW			18
33G-608	SET SCREW			8
34G-506	SCREW			4
35C-616	BOLT	4E-6	B	2
37C-652	BOLT			8
37C-680	BOLT	7C-680		26
48K-16	O-RING			6
54K-30118	O-RING	25K-30118	A	33
54K-30118	O-RING	NSS		9, 10
54K-40124	O-RING	25K-40124	A	33
54K-40124	O-RING	NSS		9, 10
57D-6	NUT			26
57D-8	NUT			22
57D-10	NUT			8
57D-12	NUT			24
58K-014	O-RING			24
61D-8	NUT			2, 6, 22
61D-10	NUT			22
73G-408	BOLT			18
73G-412	BOLT			18
73G-824	BOLT			24
73K-014	BACKUP RING			24
73K-224	BACKUP RING			9, 10, 33
79K-3	O-RING			9, 10, 33
79K-6	O-RING			13, 24
79K-9	O-RING			6
79K-10	O-RING			24
79K-12	O-RING			24
82K-136	O-RING	58K-136		10, 33
83D-6	NUT			24
83D-12	NUT			22
84G-3712	BOLT			2, 22
85D-5	NUT			2
85D-6	NUT			2, 28
85D-7	NUT			2

Code for disposition of old part number  
A — Use up  
B — Use on other application (See PNI)

C — File PDR Report with Bobcat Parts Sales  
D — Part Number Error

